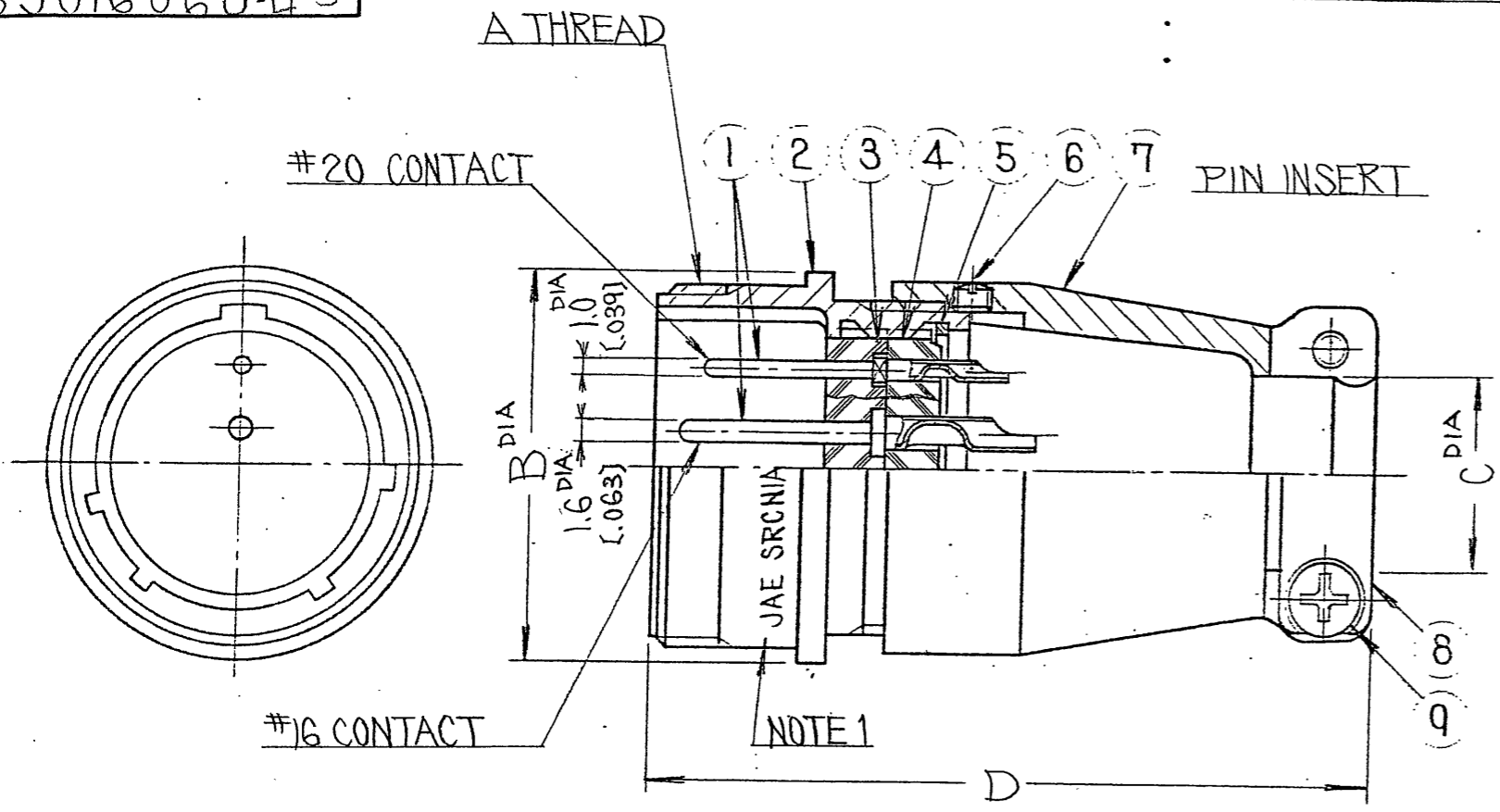


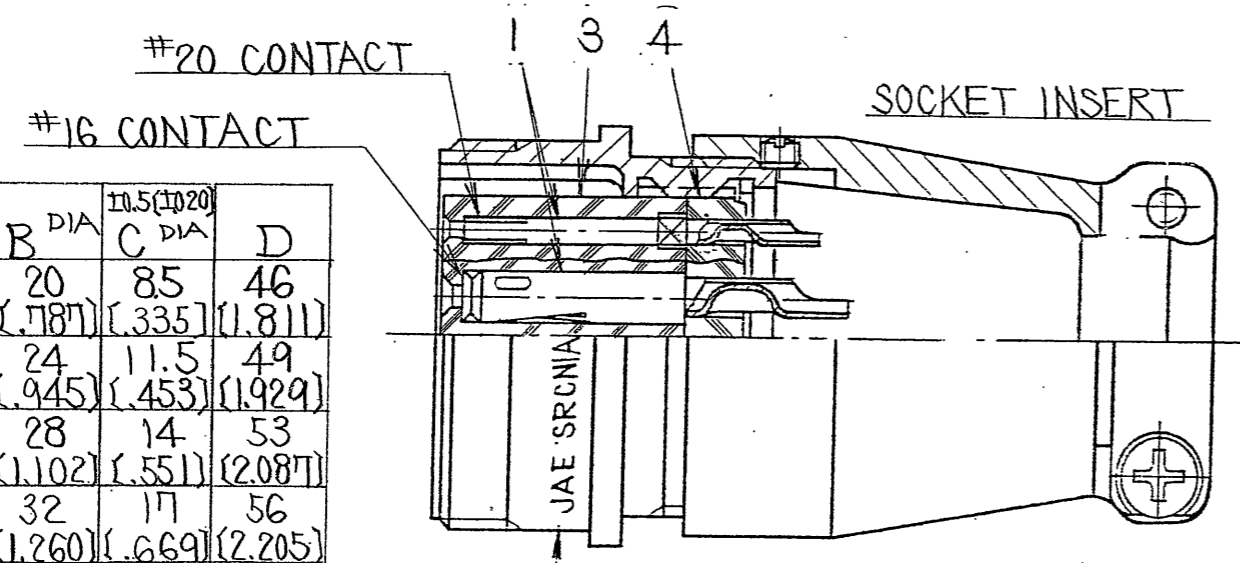
DWG. NO.	SYM.
SJ016060-E	3

SYM.	DCN NO.	DESCRIPTION	DATE	DRAWN	CHECKED	APP'D	APP'D
3	062556	REVISED NOTE	16-MAR-2007	t. takekita	W. Matsumoto	-	A. Onogawa



IDENTIFICATION
 SRCN 1A *-*-*
 (OMIT FOR NORMAL)
 ALTERNATE INSERT POSITION
 CONTACT TYPE; P-PIN CONTACT, S-SOCKET CONTACT
 NUMBER OF CONTACTS
 SHELL SIZE
 CLASS
 SHELL STYLE
 SERIES PREFIX

NOTES
 1. METAL STAMPS "JAE" "SRCNIA*-*-*"
 2. FOR AVAILABLE INSERT ARRANGEMENTS, ALTERNATE POSITIONS ELECTRICAL SPECIFICATIONS AND CONTACT SIZE, REFER TO SJ014069 OR CONSULT FACTORY.



SHELL SIZE	A THREAD	B DIA	C DIA	D
13	M18 P1	17.8	33.5	18.1
16	M22 P1	24	45.3	19.2
21	M26 P1	28	55.1	20.8
25	M30 P1	32	66.9	22.05

ITEM	DESCRIPTION	Q'TY	MATERIAL	FINISH	NOTE
9	SCREWS, PAN HEAD	2	STEEL	NICKEL PLATING	
8	SADDLE, CLAMP	1	ALUMINUM ALLOY	SATIN NICKEL PLATING	
7	ENDBELL	1	ALUMINUM ALLOY	SATIN NICKEL PLATING	
6	SLOTTED SET SCREW	1	STEEL	NICKEL PLATING	COLOR: BLACK
5	RING, RETAINING	1	COPPER ALLOY	NICKEL PLATING	
4	INSULATOR, REAR	1	PLASTIC	NONE	UL FLAME CLASS 94V-0
3	INSULATOR, FRONT	1	PLASTIC	NONE	UL FLAME CLASS 94V-0
2	SHELL	1	ALUMINUM ALLOY	SATIN NICKEL PLATING	
1	CONTACTS	-	COPPER ALLOY	SILVER PLATING	SEE NOTE 2

REQUIREMENTS
 TEMPERATURE -25°C ~ +85°C
 RELATIVE HUMIDITY 85% MAX
 INSULATION RESISTANCE 1000 MΩ MIN (AT DC 500V)

NOTE 1

UNLESS OTHERWISE SPECIFIED		DATE	5-26-1981
DIMENSIONS ARE IN MILLIMETERS		DRAWN	M. Komatsu
TOLERANCES ON: (INCHES)		CHECKED	M. Inoue, M. Shibuya
FRACTIONS	DECIMALS .XX	ANGLES	APP'D
	±.2 ±.08 ±.02	±1/2	H. Kawamura
TREATMENT OR FINISH		APP'D	T. Yajima

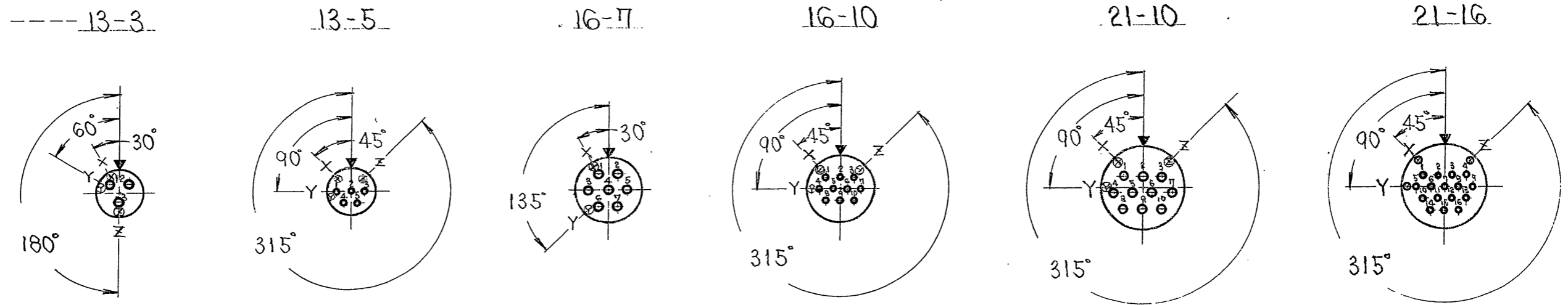
TITLE
 CONNECTOR PLUG ELECTRICAL
 CABLE - CONNECTING
 SRCN 1A
 SCALE NONE DWG. SIZE B WT.

JAE-CONNECTOR.COM
 JAPAN AVIATION ELECTRONICS IND. CO. LTD.
 Reference Only
 NAKAGAMI-CHO, AKISHIMA-SHI
 TOKYO, JAPAN
 DWG. NO. SJ016060-E
 SHEET

DWG. NO.	SYM.
SJ 014069-E	3

SYM.	DCN NO.	DESCRIPTION	DATE	DRAWN	CHECKED	APP'D	APP'D
2	DCN-14326	Add SRCN	81.5.26	M. Komatsu	M. Drove	M. Takahashi	T. Yajima
3	062556	REVISED SPECIFICATION	2007.3.16	t. takesita	S. Matsumoto	-	A. Onogawa

INSERT ARRANGEMENT



OPERATING CURRENT --- 10A
CONTACT SIZE ----- #16

5A
#20

10A
#16

5A
#20

10A
#16

5A
#20

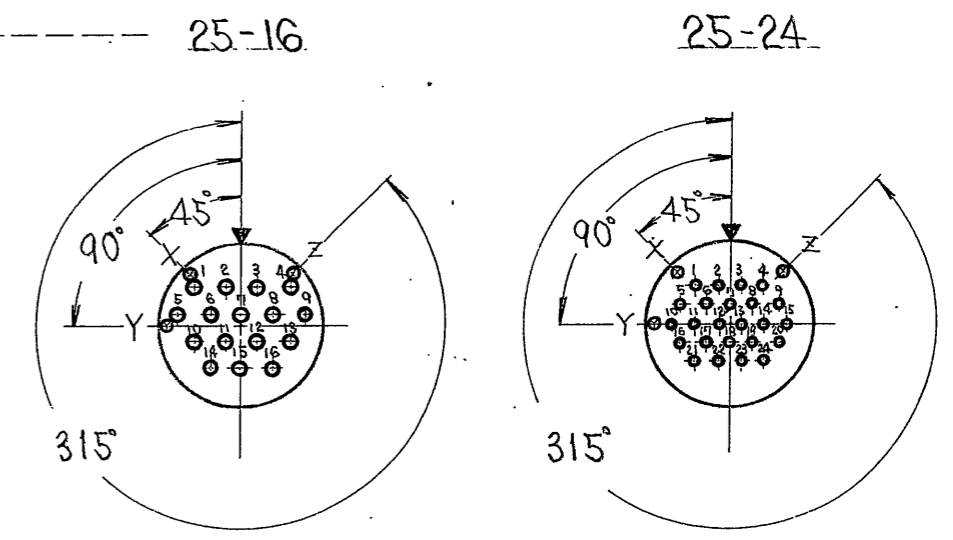
SERVICE RATING

WITHSTANDING VOLTAGE AC 1000 V.r.m.s. (FOR 1 MINUTE)
INSULATION RESISTANCE 1000 MΩ MIN (AT D.C. 500V)

NOTES

- ALL INSERT LAYOUTS ARE SHOWN IN FRONT-VIEW FROM ENGAGING FACE OF PIN INSERT (SOCKET INSERT OPPOSITE).
- ▼ INDICATES LOCATION OF CENTERLINE OF KEY OR KEY WAY OF SHELLS IN FIXED NORMAL POSITION. FOR ALTERNATE INSERT POSITIONS, INSERT IS ROTATED AS SHOWN BY ARROW AND LETTERS.

INSERT ARRANGEMENT



OPERATING CURRENT --- 10A
CONTACT SIZE ----- #16

5A
#20

ITEM	DESCRIPTION	Q'TY	MATERIAL	FINISH	PART NO.
UNLESS OTHERWISE SPECIFIED DIMENSIONS ARE IN INCHES TOLERANCES ON:					
FRACTIONS	DECIMALS	ANGLES	±1/2		
TREATMENT OR FINISH					
DATE	10-11-1974	TITLE	INSERT ARRANGEMENTS SRC AND SRCN ELECTRICAL CONNECTORS		
DRAWN	M. Sugita	JAE-CONNECTOR.COM Reference Only			
CHECKED	M. Sugita				
APP'D	M. Sugita				
APP'D	M. Sugita				
NEXT ASS'Y		USED ON	NEXT ASS'Y	FINAL ASS'Y	DWG. NO.
APPLICATION			QT'Y	REQ'D	SJ 014069-E
SCALE			X1	DWG. SIZE	B WT.
SHEET					