

NEW



microSD™ Memory Card and SIM Card
Combo Connector

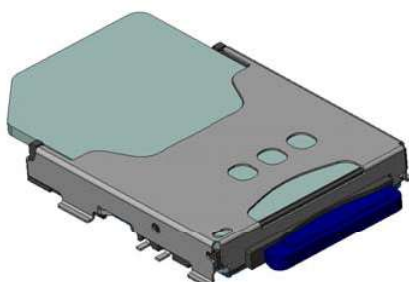
CONNECTOR

MB-0188-1

September 2008

ST7 Series

RoHS Compliant



The ST7 Series is a combo connector that simultaneously accepts a micro SD™ card in a push-push slot, and a GSM11.11 standard compatible Plug-in SIM card.

* microSD™ is a trademark of SD Card Association.

Features

- Combo connector compatible with slide-type GSM11.11 standard Plug-in SIM card, and reverse-mounting push-push structure compatible with the microSD™ card standardized by the SDA™
- 0.8mm push stroke and 3.3mm card eject length
- Card half lock structure
- Countermeasure to prevent the card from popping out
- Card insertion detection structure (D-SW), Normally open: micro SD™ and SIM card
- Shield feature is secured by 4 ground connection points
- Slim design with 3.2mm height, 17.8mm width, and 20.5mm depth (depth including card: 27.25mm)
- Supply for automatic mounting in embossed tape (Compatible with second reflow)

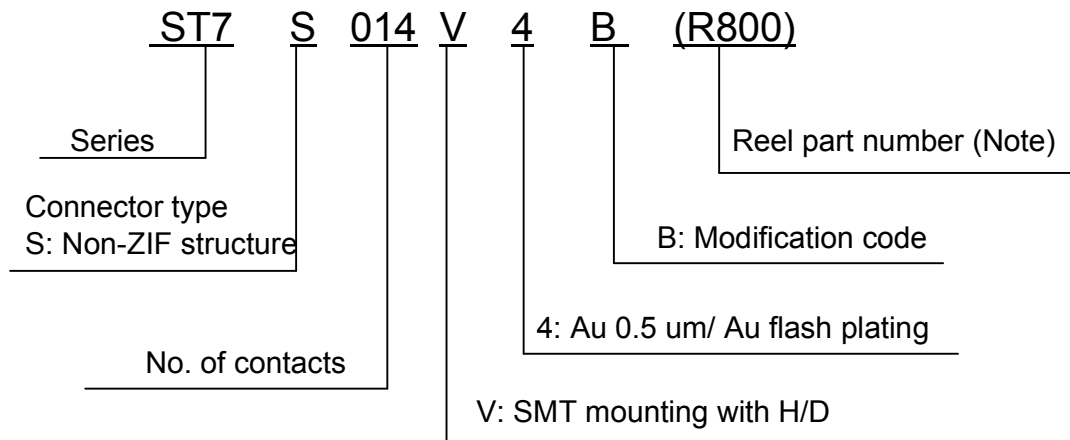
General Specifications

- | | |
|--|---|
| ■ No. of contacts : 14 pos.+2pos. (D-SW) | ■ Rated current: 0.5A/ per pin |
| ■ Contact resistance: 100m ohm max. | ■ Rated voltage: 10V/ per pin |
| ■ Dielectric withstanding voltage : AC500Vr.m.s. per minute | ■ Insulation resistance: 1000M ohm min. |
| ■ Operating temperature: -25 Deg. C to +85 Deg. C | ■ Lifetime: Plug-in SIM: 5,000 times micro SD™: 10,000 times |
| ■ Storage temperature: -10 Deg. C to +60 Deg. C | ■ Temperature rise: 30 Deg. C rise max. |

Materials and Finishes

| Components | Material /Finish |
|---|---|
| Signal contact (microSD, SIM in common) | Copper Alloy/ Contact: 0.5um min. Au plating over Ni Terminal: Au flash plating over Ni |
| Housing | Synthetic resin/ No (UL94V-0) |
| Cover frame | Stainless steel/ terminal area: Au flash plating over Ni |
| Eject bar | Synthetic resin/ No (UL94V-0) |
| Spring | Stainless steel/ None |
| D-SW contact | Plating: Compliant to finish of signal contact |
| Lock | Stainless steel/ None |
| Cam follower | Stainless steel/ None |

Ordering Information



| | |
|-------------|------------|
| Part Number | SJ Drawing |
| ST7S014V4B | SJ108850 |

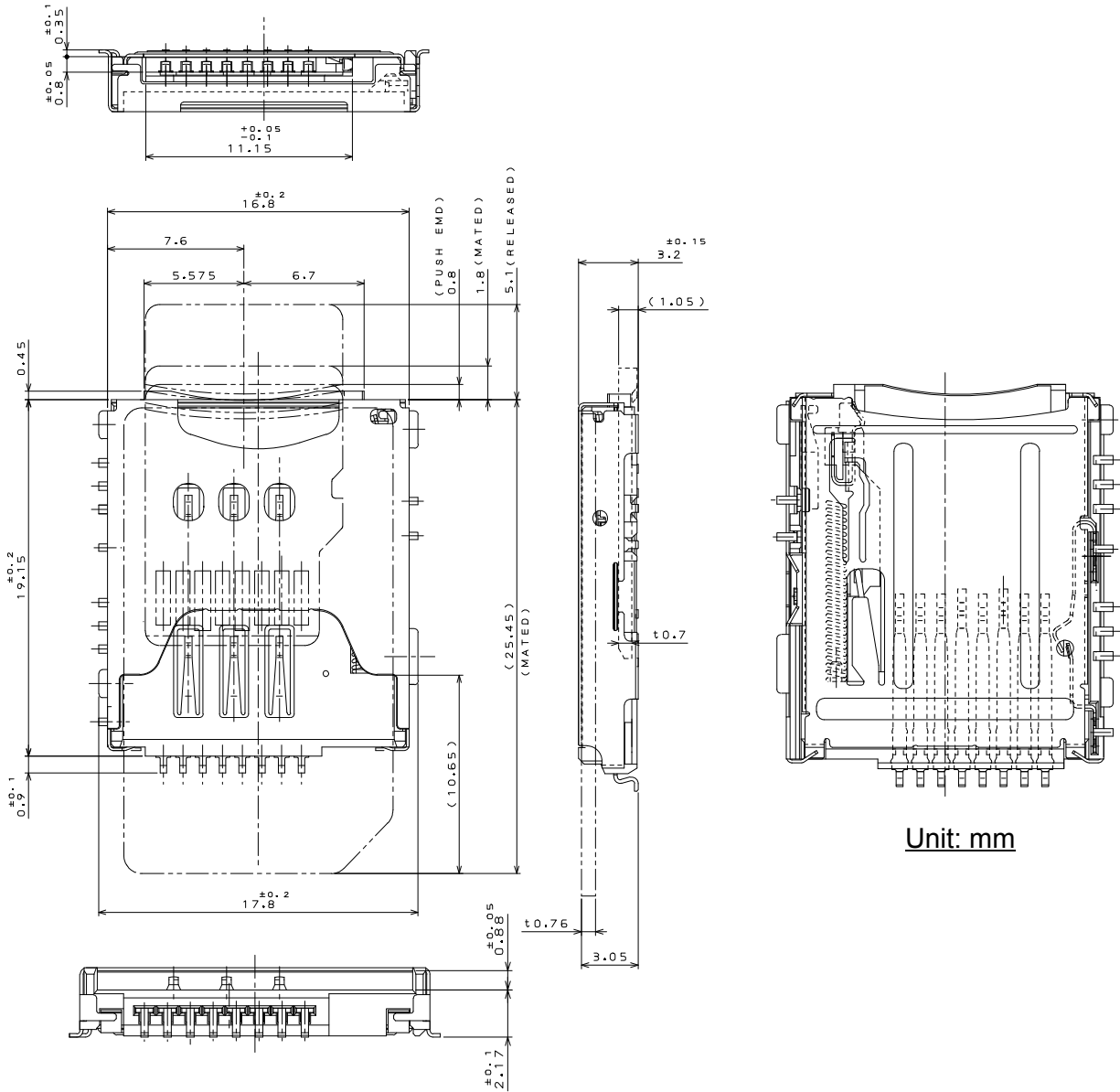
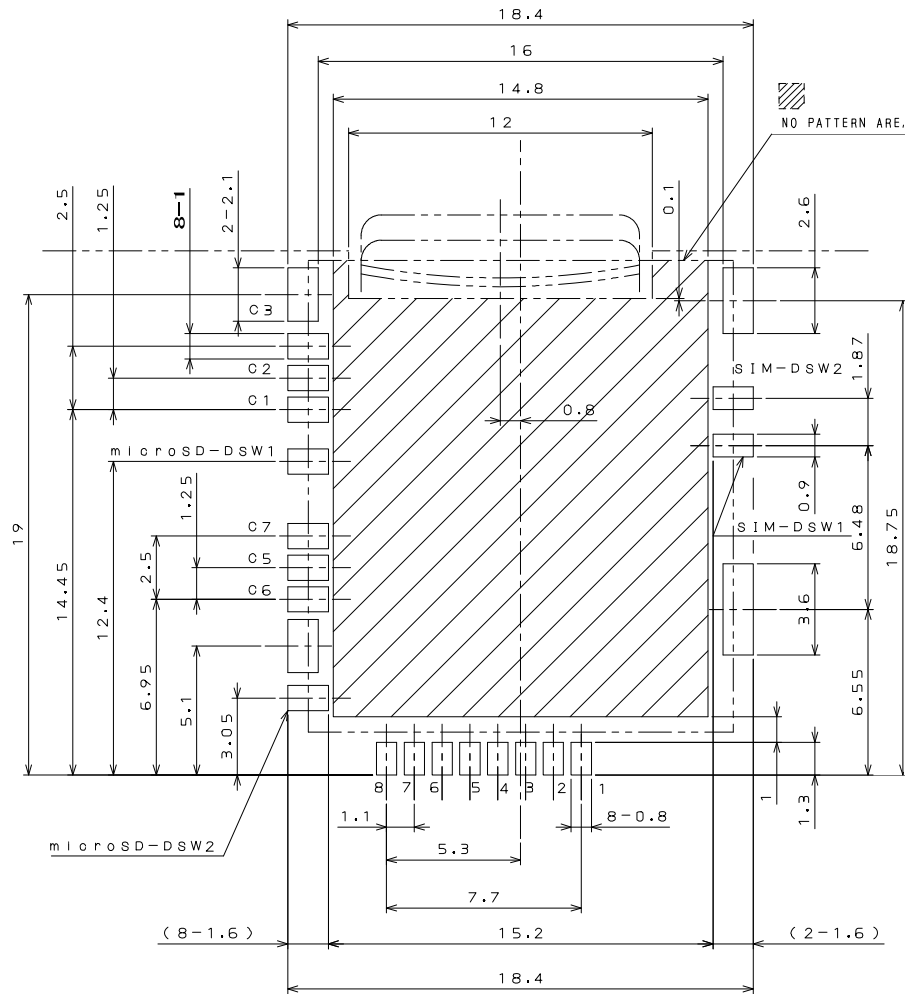


TABLE1 Circuit [Detection Switch]

| | WITHOUT CARD | CARD MATED |
|---------|--------------|------------|
| microSD | | |
| SIM | | |

APPLICABLE P.C.B. DIMENSION (REF.)
適合基板寸法 (参考)



Applicable board dimensions
(for reference)

Note) An embossed tape reel contains 800 pcs.

Please contact us for details on embossed tape specifications.

Notice: Products shown in this leaflet are made for the applications listed below. However, if the above-mentioned products are to be used in aerospace devices, marine cable-connection devices, atomic power control systems, medical equipment for life-support systems, or any other specific application requiring extremely high reliability, please contact JAE for further information.
Recommended applications: computers, office machines, measuring devices, telecommunication devices (terminals, mobile devices), AV devices, household applications, FA devices, etc.

Japan Aviation Electronics Industry, Limited

Product Marketing Division
Aobadai Building, 3-1-19, Aobadai, Meguro-ku, Tokyo 153-8539
Phone: +81-3-3780-2787 FAX: +81-3-3780-2946

* The specifications in this brochure are subject to change without notice. Please contact JAE for information.