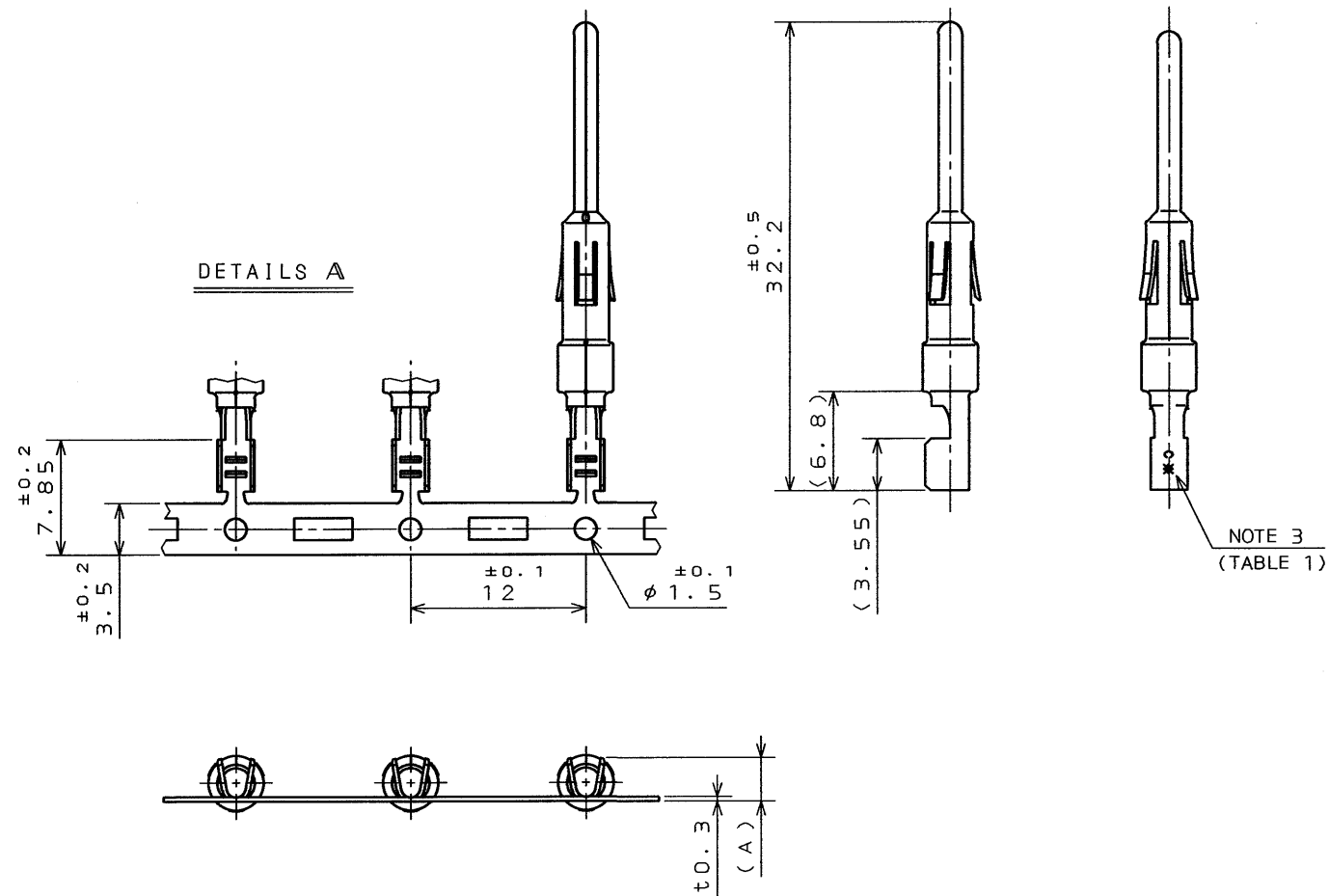
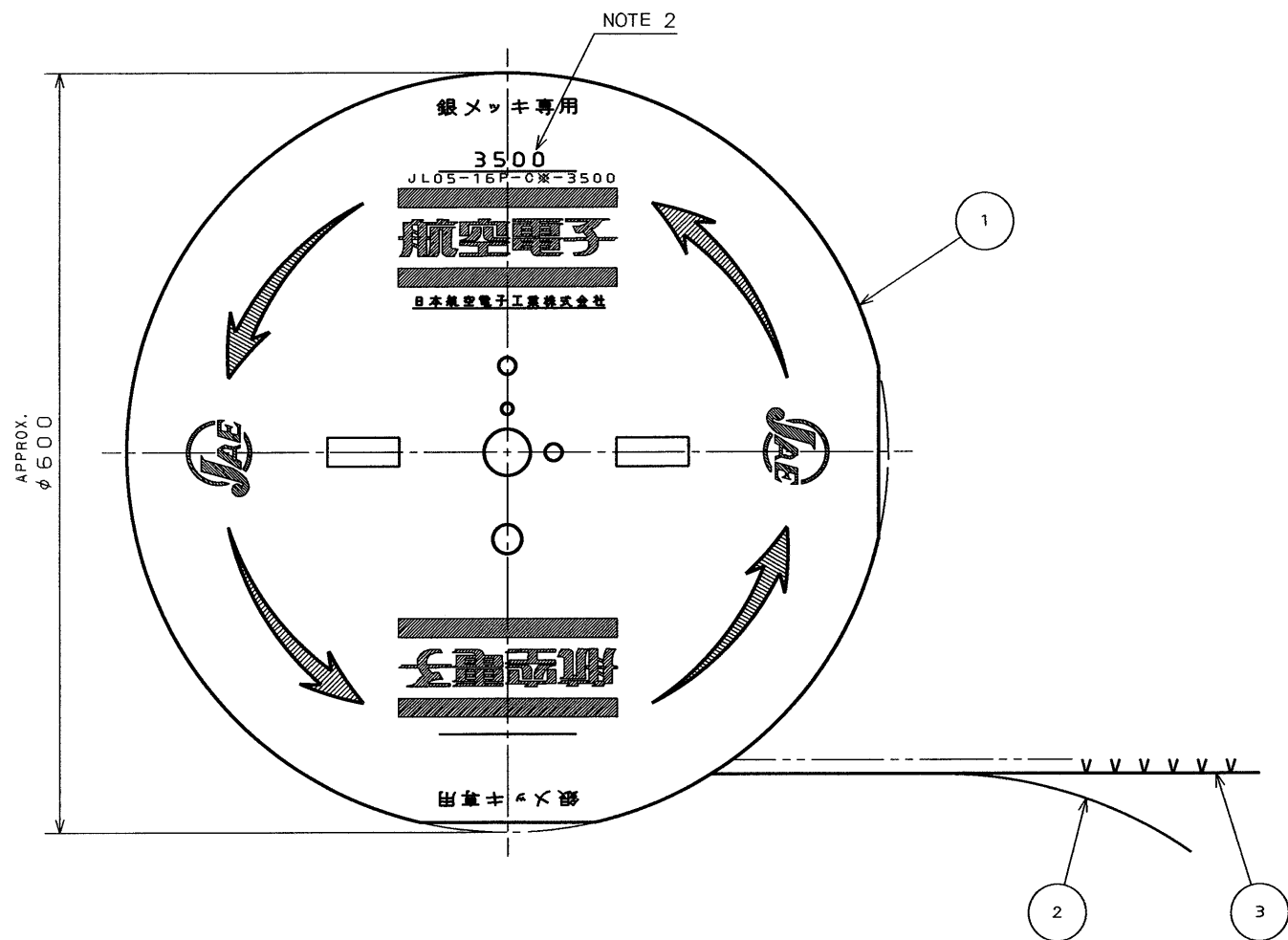
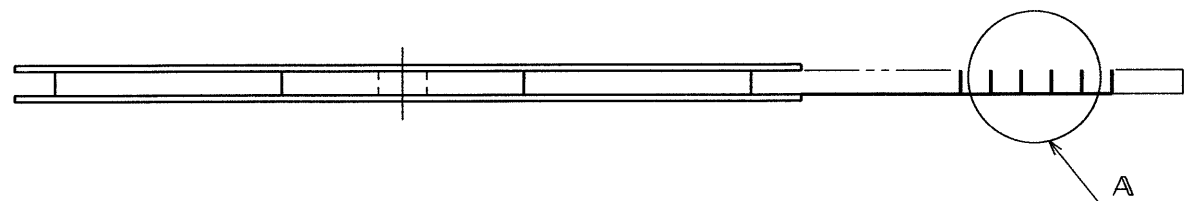


SJ025426-E

DWG. NO.

SYM.	DCN NO.	DESCRIPTION	DATE	DRAWN	CHECKED	APP'D	APP'D



- NOTE 1. CONTACTS ARE SUPPLIED IN REELED FORM WITH 3500 CONTACTS PER REEL.
- NOTE 2. PART DESCRIPTION AND NUMBER OF CONTACTS OF A REEL ARE MARKED ON THE MAGAZINE AS SHOWN.
- NOTE 3. A CRIMP TYPE IS MARKED AS INDICATED.

TABLE 1

CRIMP TYPE	APPLICABLE WIRE		DIMENSIONS
	WIRE SIZE	INSULATION OUTER DIA.	
C 1	AWG #14~16 (1.25mm~2mm)	φ 3.8MAX.	3.7
C 2	AWG #16~20 (1.25mm~0.5mm)	φ 3.8MAX.	3
C 3	AWG #20~24 (0.5mm~0.2mm)	φ 3.8MAX.	2.2

NOTE 4. FOR AN INDIVIDUAL CONTACT, SEE DWG. NO. SJ025424.

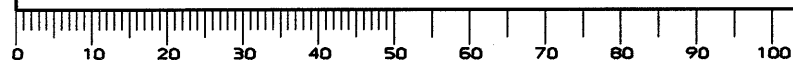
DIMENSIONS ARE IN MILLIMETERS
TOLERANCES ON: (INCHES)

DIMENSION	ANGLES
. ±	X° ±
.X ±	X°X' ±
.XX ±	CONCENTRICITY
.XXX ±	WITHIN T.I.R.

ITEM	DESCRIPTION	Q'TY	MATERIAL	FINISH	REMARKS
3	#16 PIN CONTACT	3500	COPPER ALLOY	SILVER PLATING	
2	TAPE	1	PAPER		
1	MAGAZINE	1	PAPER		

REFERENCE DOCUMENT	DATE 21. Apr. '95	SCALE 1:1	TITLE ST-JL05-16P -C*-3500 (MAGAZINE ASSEMBLY)
MATERIAL	DRAWN H. SAKURADA	JAE-CONNECTOR.COM Reference JAE	
TREATMENT	CHECKED S. NANO	MUSASHINO, AKISHIMA-SHI TOKYO, JAPAN	
FINISH	APP'D T. MORITA	SERIES JL05	DWG. NO. SJ025426-E
	APP'D M. Takagi		

DDF-C-143



CDS-90-12057

SIZE A3