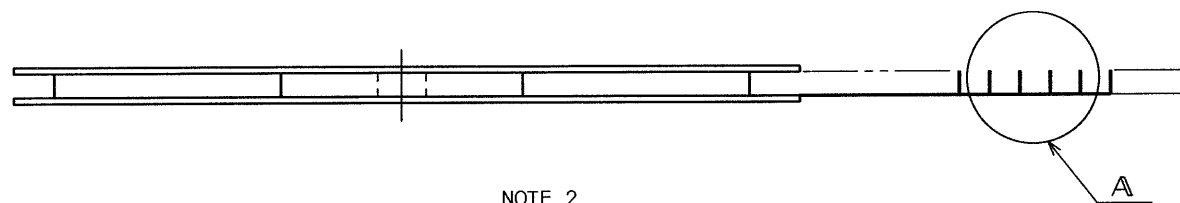


SJ025427-E

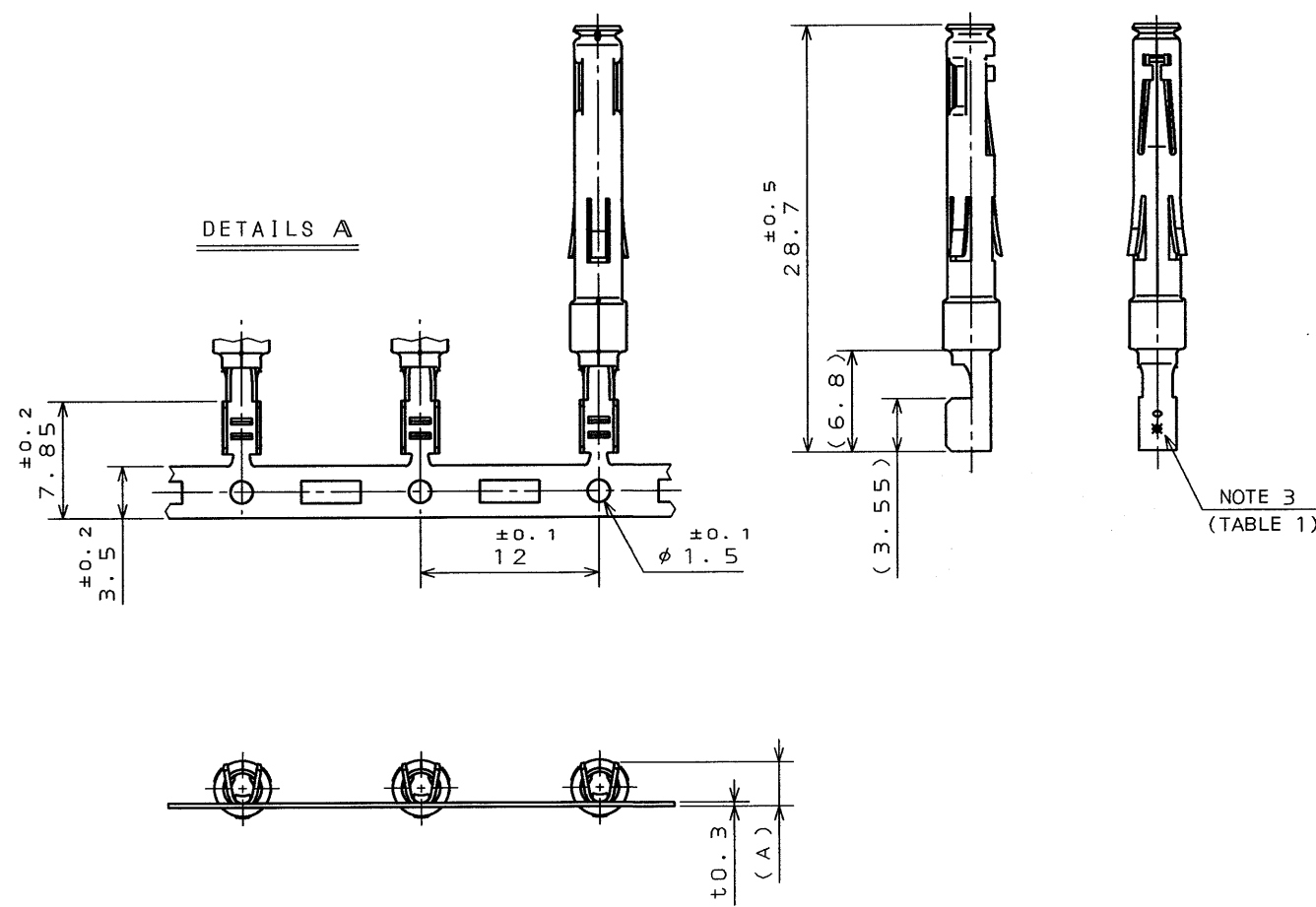
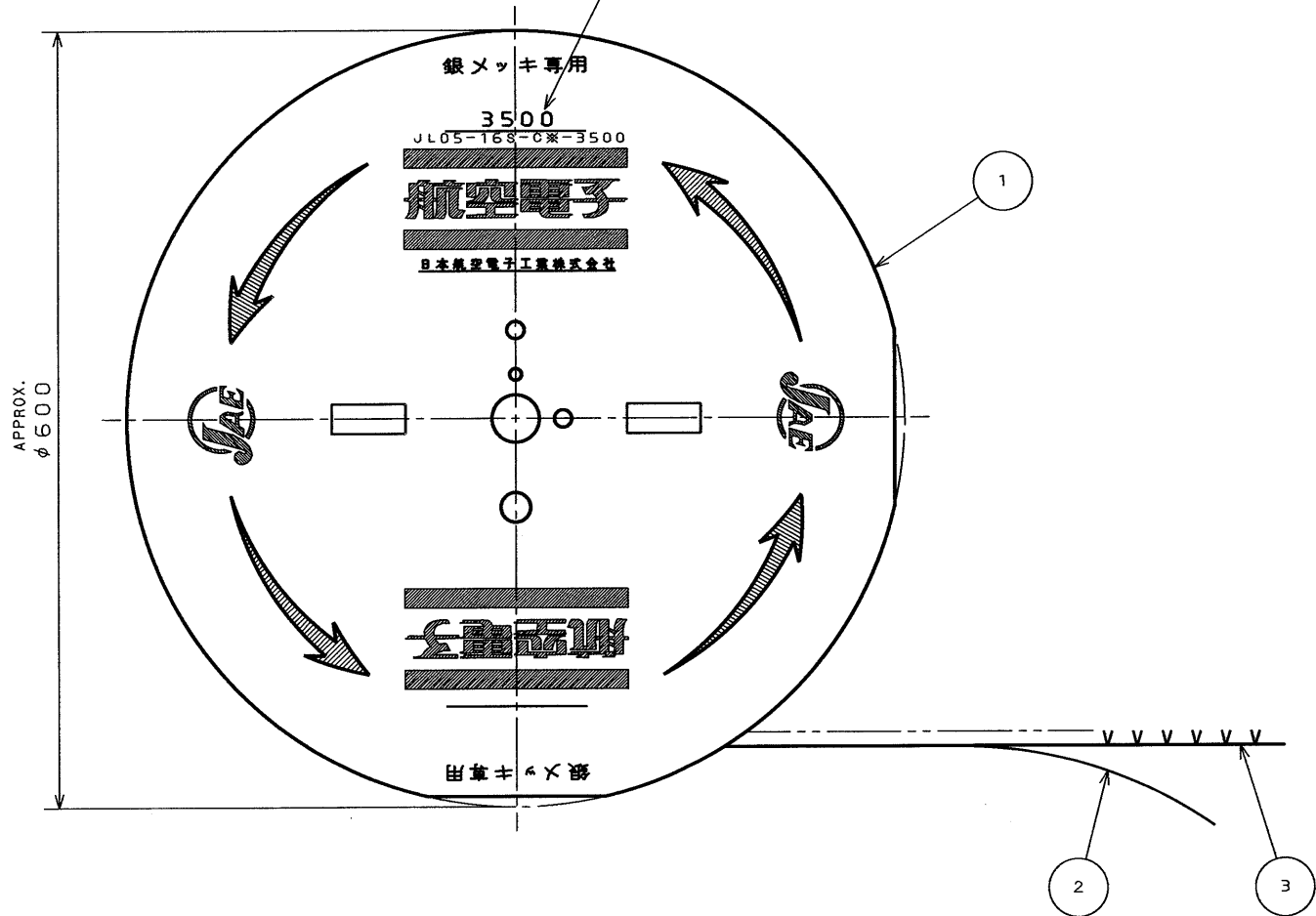
DWG. NO.

SYM.	DCN NO.	DESCRIPTION	DATE	DRAWN	CHECKED	APP 'D	APP 'D



NOTE 2

A



NOTE 3 (TABLE 1)

- NOTE 1. CONTACTS ARE SUPPLIED IN REELED FORM WITH 3500 CONTACTS PER REEL.
- NOTE 2. PART DESCRIPTION AND NUMBER OF CONTACTS OF A REEL ARE MARKED ON THE MAGAZINE AS SHOWN.
- NOTE 3. A CRIMP TYPE IS MARKED AS INDICATED.

TABLE 1

CRIMP TYPE	APPLICABLE WIRE		DIMENSIONS
	WIRE SIZE	INSULATION OUTER DIA.	
C 1	AWG #14~16 (1.25mm~2mm)	φ 3.8MAX.	3.7
C 2	AWG #16~20 (1.25mm~0.5mm)	φ 3.8MAX.	3
C 3	AWG #20~24 (0.5mm~0.2mm)	φ 3.8MAX.	2.2

NOTE 4. FOR AN INDIVIDUAL CONTACT, SEE DWG. NO. SJ025425.

DIMENSIONS ARE IN MILLIMETERS
TOLERANCES ON: (INCHES)

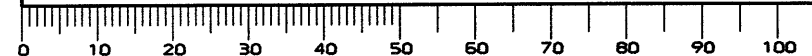
DIMENSION	ANGLES
. ±	X° ±
.X ±	X°X ±
.XX ±	CONCENTRICITY
.XXX ±	WITHIN T.I.R.

ITEM	DESCRIPTION	Q'TY	MATERIAL	FINISH	REMARKS
3	#16 SOCKET CONTACT	3500	COPPER ALLOY	SILVER PLATING	
2	TAPE	1	PAPER		
1	MAGAZINE	1	PAPER		

REFERENCE DOCUMENT	DATE	SCALE	WT.	Q'TY
	21. Apr. '95	2/1	2.0g	1
MATERIAL	DRAWN	TITLE		
	H. SAKURADA	ST-JL05-16S		
TREATMENT	CHECKED	Reference		
	S. NANO	-C*-3500		
FINISH	APP'D	(MAGAZINE ASSEMBLY)		
	T. MORITA	SERIES		
	M. Takagi	JL05		

MUSASHINO, AKISHIMA-SHI TOKYO, JAPAN	
DWG. NO.	
SJ025427-E	

DCF-C-143



CDS-90-12057
A3
SIZE