



Part Number
Key Word



Site Search

TOP

NEWS RELEASE

CONNECTOR SEARCH

CATALOG


SAMPLE

STOCK CHECK

[TOP](#) > [WR-50P-VF-N1](#)

Product List

Product Name	WR-50P-VF-N1
Series Name	WR Series
Lead free	Yes
Contact pitch (mm)	0.5
Number of contacts	50
Number of rows	2
Connector types	Plug
PCB mounting method	Solder (SMT)
Connector styles	Straight
Mounted height (mm)	3
Mating side contact finish	Gold over Nickel
Minimum thickness of the plating contact area (micrometer)	0.1

Finish of contact in PCB mounting area	Gold flash over Nickel
Material of insulator	Glass-filled PPS (UL94V-0, Black)
Material of contact	Phosphor Bronze
Polarization key	None
With polarizing boss	None
With hold-down	None
With mounting ears	None
With hook pin	None
Remarks	-
Related Documents	
Pair	WR-50S-VF-N1 WR-50SB-VFH05-N1 WR-50SB-VFH30-N1 WR-50SB-VF-N1 WR-50S-VFH05-N1 WR-50S-VFH30-N1

Notice:

1. The values specified in this web site are only for reference. The products and their specifications are subject to change without notice. Contact our sales staff for further information before considering or ordering any of our products.
For purchase, a product specification must be agreed upon.
2. Users are requested to provide protection circuits and redundancy circuits to ensure safety of the equipment, and sufficiently review the suitability of JAE's products to the equipment.

3. The products presented in this web site are designed for the uses recommended below. We strongly suggest you contact our sales staff when considering use of any of the products in any other way than the recommended applications or for a specific use that requires an extremely high reliability.

(1) Applications that require consultation:

- (i) Please contact us if you are considering use involving a quality assurance program that you specify or that is peculiar to the industry, such as:
Automotive electrical components, train control, telecommunications devices (mainline), traffic light control, electric power, combustion control, fire prevention or security systems, disaster evention equipment, etc.
- (ii) We may separately give you our support with a quality assurance program that
you specify, when you think of a use such as :

Aviation or space equipment, submarine repeaters, nuclear power control systems, medical equipment for life support, etc.

(2) Recommended applications include:

Computers, office appliances, telecommunications devices (terminals, mobile units), measuring equipment, audiovisual equipment, home electric appliances, factory automation equipment, etc

8E001PS
(DRAWING NO.)

版数 REV.	年月日 DATE	DCN NO.	変更内容 DESCRIPTION	製図 DR.	担当 CHK.	査閲 APPD.	承認 APPD.

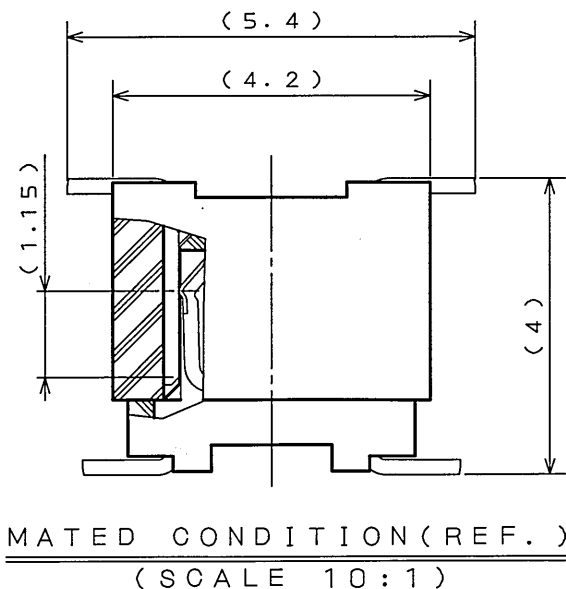
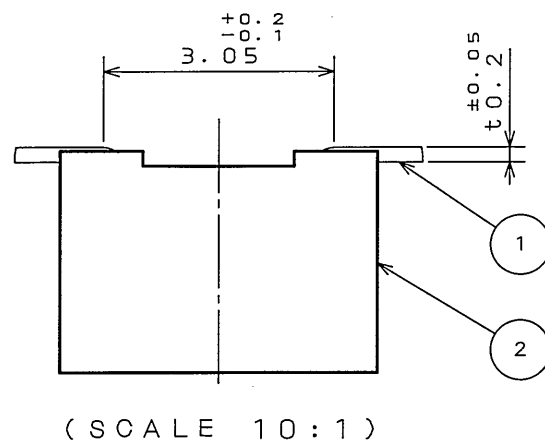
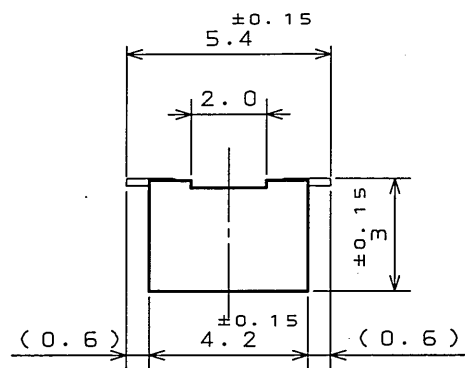
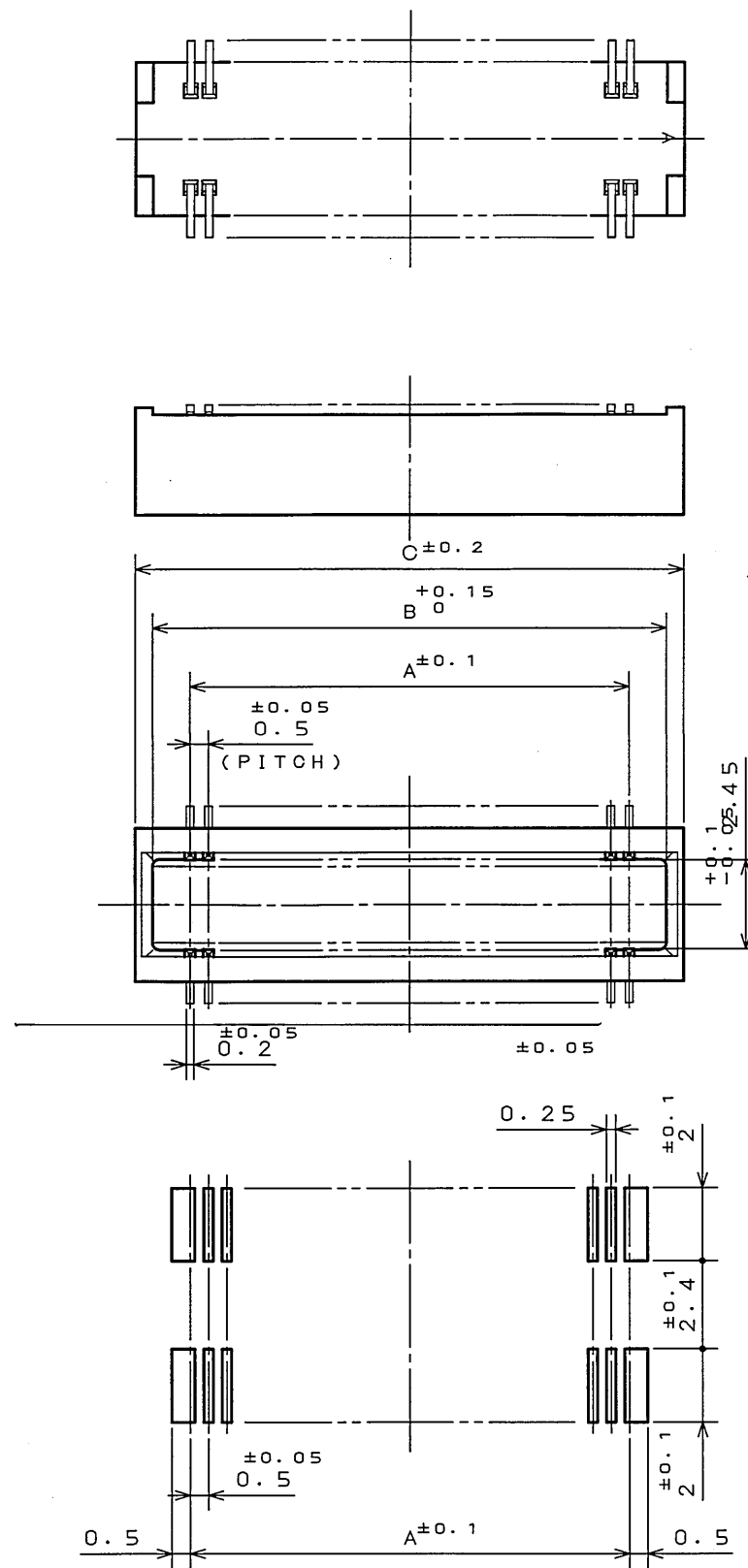


TABLE 1

No. OF CONTACT(N)	A	B	C
20	4.5	6.5	7.5
30	7.0	9.0	10.0
40	9.5	11.5	12.5
50	12.0	14.0	15.0
60	14.5	16.5	17.5
70	17.0	19.0	20.0
80	19.5	21.5	22.5
100	24.5	26.5	27.5
120	29.5	31.5	32.5
160	39.5	41.5	42.5

TABLE 2

FINISH	CONTACT AREA	TERMINAL AREA
N 1	GOLD(0.1μm MIN)OVER NICKEL	GOLD FLASH OVER NICKEL

NOTE1. COPLANARITY IS AS PER APPLICABLE SPECIFICATION.
注1. 端子の振れ規定は適用仕様書による。

APPLICABLE P.C.B. DIMENSION(REF.)
(CONNECTOR MOUNTING SIDE)

2	INSULATOR	1	GLASS FILLED PPS		COLOR:BLACK
1	CONTACT	N	PHOSPHOR BRONZE	TABLE 2	
符号 NO.	名称 DESCRIPTION	個数 QTY.	材料 MATERIAL	仕上 FINISH	備考 REMARKS
仕様書(SPECIFICATION)	JACS-1385-*	第1版(ORIGINAL DATE)	4.Dec.2003	尺(SCALE)	シリーズ(SERIES)
公差差(GENERAL TOLERANCE)		製図 DR.	M.TANAKA	名称(TITLE)	Reference
寸法(DIMENSION)	角度(ANGLES)	担当 CHK.	T.SHIODA	WR-*P-VF-N1	
. ±0.8	X° ±	査閲 APPD.	K. Kawada		
.X ±0.4	X°X' ±	承認 APPD.	S. Kashinagi		
.XX ±0.1				重量(WEIGHT)	
.XXX ±					
				重量(WEIGHT)	図面番号(DRAWING NO.)
					SJ100338

LEAD FREE この製品は鉛フリー品です

JAE CONNECTOR DIV. PROPRIETARY.
COPYRIGHT (C) 2003. JAPAN AVIATION ELECTRONICS INDUSTRY, LTD.

DOF-O-212E(03.08)

SIZE A3
版数 (REV.) 1