



Part Number
Key Word



Site Search

TOP

NEWS RELEASE

CONNECTOR SEARCH

CATALOG

SAMPLE

STOCK CHECK

[TOP](#) > [WR-80P-VF50-N1](#)

Product List

| | |
|--|-----------------------|
| Product Name | WR-80P-VF50-N1 |
| Series Name | WR Series |
| Lead free | Yes |
| Contact pitch (mm) | 0.5 |
| Number of contacts | 80 |
| Number of rows | 2 |
| Connector types | Plug |
| PCB mounting method | Solder (SMT) |
| Connector styles | Straight |
| Mounted height (mm) | 4 |
| Mating side contact finish | Gold over Nickel |
| Minimum thickness of the plating contact area (micrometer) | 0.1 |

| | |
|--|--|
| Finish of contact in PCB mounting area | Gold flash over Nickel |
| Material of insulator | Glass-filled PPS (UL94V-0, Black) |
| Material of contact | Phosphor Bronze |
| Polarization key | None |
| With polarizing boss | None |
| With hold-down | None |
| With mounting ears | None |
| With hook pin | None |
| Remarks | - |
| Related Documents |  88Kbytes |
| Pair | WR-80S-VFH30-N1 WR-80S-VF-N1 WR-80SB-VFH30-N1 WR-80SB-VF-N1 WR-80S-VFH05-N1 |

Notice:

1. The values specified in this web site are only for reference. The products and their specifications are subject to change without notice. Contact our sales staff for further information before considering or ordering any of our products.
For purchase, a product specification must be agreed upon.
2. Users are requested to provide protection circuits and redundancy circuits to ensure safety of the equipment, and sufficiently review the suitability of JAE's products to the equipment.

3. The products presented in this web site are designed for the uses recommended below. We strongly suggest you contact our sales staff when considering use of any of the products in any other way than the recommended applications or for a specific use that requires an extremely high reliability.

(1) Applications that require consultation:

- (i) Please contact us if you are considering use involving a quality assurance program that you specify or that is peculiar to the industry, such as:
Automotive electrical components, train control, telecommunications devices (mainline), traffic light control, electric power, combustion control, fire prevention or security systems, disaster evention equipment, etc.
- (ii) We may separately give you our support with a quality assurance program that
you specify, when you think of a use such as :

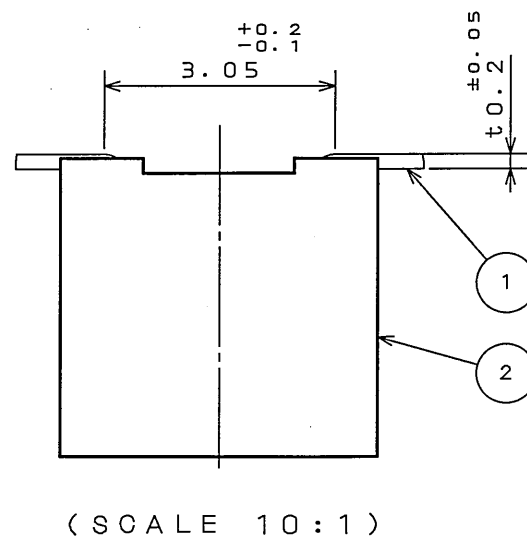
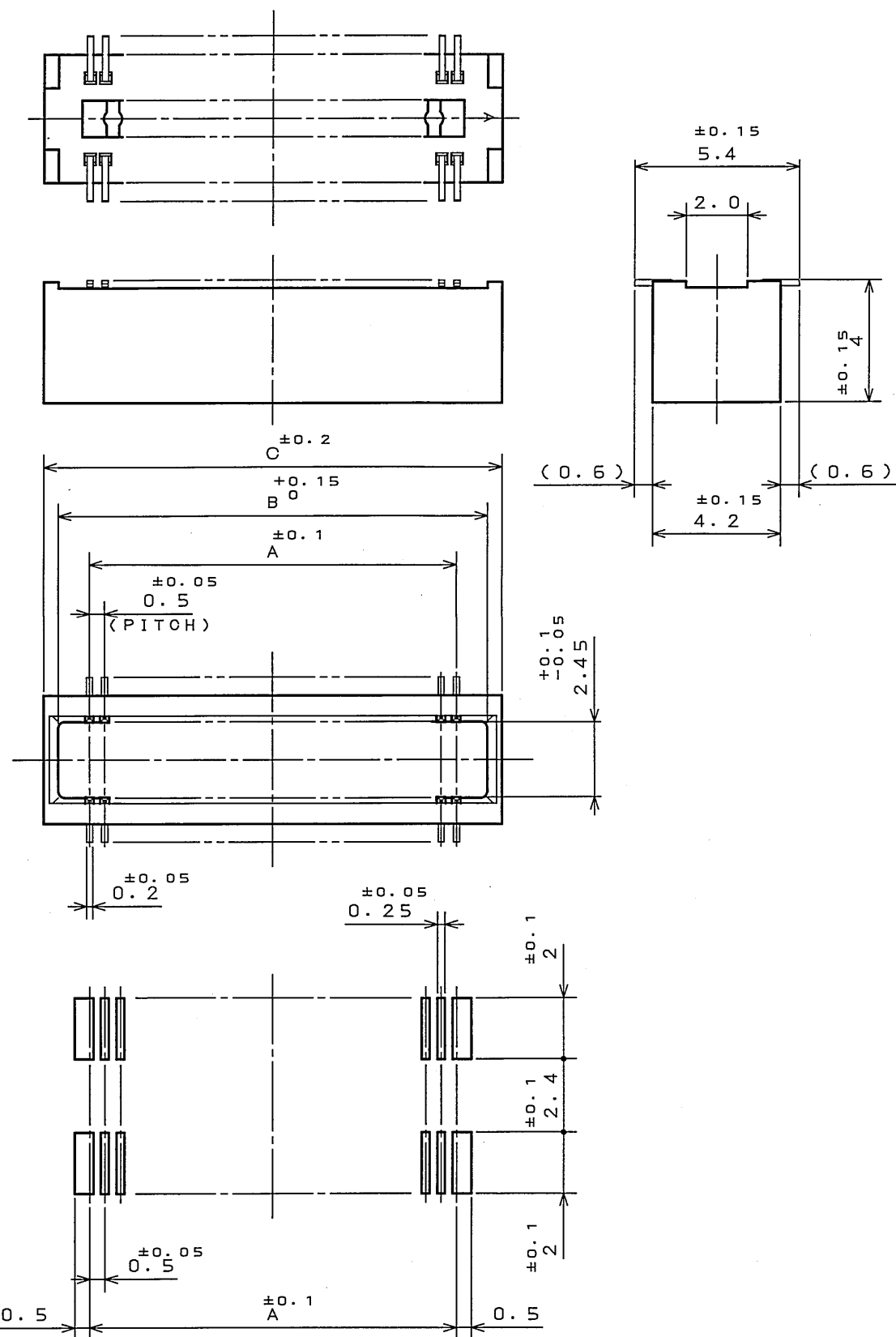
Aviation or space equipment, submarine repeaters, nuclear power control systems, medical equipment for life support, etc.

(2) Recommended applications include:

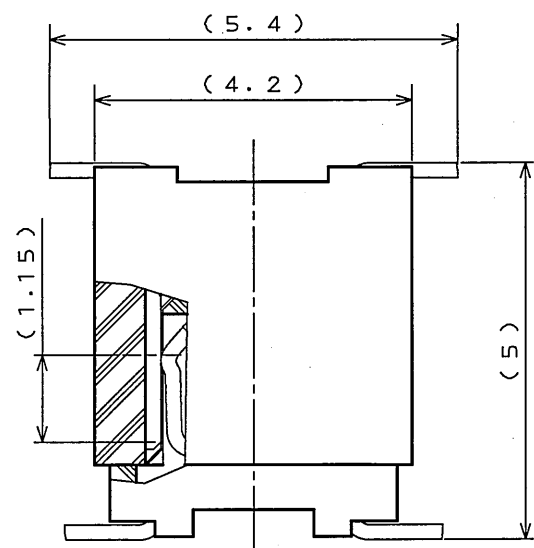
Computers, office appliances, telecommunications devices (terminals, mobile units), measuring equipment, audiovisual equipment, home electric appliances, factory automation equipment, etc

6SE001PS
(ON 0NIMVH0)台票圖圖

| 版数 REV. | 年月日 DATE | DCN NO. | 変更内容 DESCRIPTION | 製図 DR. | 担当 CHK. | 査閲 APPD. | 承認 APPD. |
|------------|-------------|---------|---------------------|-----------|------------|-------------|-------------|
| | | | | | | | |
| | | | | | | | |



(SCALE 10:1)



MATED CONDITION (REF.)
(SCALE 10:1)

TABLE 1

| No. OF CONTACT(N) | A | B | C |
|-------------------|------|------|------|
| 30 | 7.0 | 9.0 | 10.0 |
| 40 | 9.5 | 11.5 | 12.5 |
| 50 | 12.0 | 14.0 | 15.0 |
| 60 | 14.5 | 16.5 | 17.5 |
| 70 | 17.0 | 19.0 | 20.0 |
| 80 | 19.5 | 21.5 | 22.5 |
| 120 | 29.5 | 31.5 | 32.5 |

TABLE 2

| FINISH | CONTACT AREA | TERMINAL AREA |
|--------|--------------------------------|---------------------------|
| N 1 | GOLD(0.1μm MIN) OVER NICKEL | GOLD FLASH OVER NICKEL |

NOTE 1. COPLANARITY IS AS PER APPLICABLE SPECIFICATION.

注1. 端子の振れ規定は適用仕様書による。

APPLICABLE P.C.B. DIMENSION (REF.)
(CONNECTOR MOUNTING SIDE)

| | | | | |
|------------------------|---------------------|---------------------------|------------------|--------------|
| 2 | INSULATOR | 1 | GLASS FILLED PPS | COLOR: BLACK |
| 1 | CONTACT | N | PHOSPHOR BRONZE | TABLE 2 |
| 符号 NO. | 名称 DESCRIPTION | 個数 QTY. | 材料 MATERIAL | 仕上 FINISH |
| 仕様書 (SPECIFICATION) | 第1版 (ORIGINAL DATE) | 尺度 (SCALE) SJ100359 | | |
| JACS-1385-* | 4.Dec.2003 | 名称 (TITLE) Reference Only | | |
| 公差 (GENERAL TOLERANCE) | 製図 DR. | M.TANAKA | | |
| 寸法 (DIMENSION) | 担当 CHK. | T.SHIODA | | |
| 角度 (ANGLES) | 査閲 APPD. | K. Kawase | | |
| . ±0.8 | 承認 APPD. | S. Kashinagi | | |
| .X ±0.4 | 承認 APPD. | S. Kashinagi | | |
| .XX ±0.1 | 承認 APPD. | S. Kashinagi | | |
| .XXX ± | 承認 APPD. | S. Kashinagi | | |
| 重量 (WEIGHT) | | WR-*P-VF50-N1 | | |
| 図面番号 (DRAWING NO.) | | SJ100359 | | |
| 版数 (REV.) | | 1 | | |

LEAD FREE この製品は鉛フリー品です

JAE CONNECTOR DIV. PROPRIETARY.
COPYRIGHT (C) 2003. JAPAN AVIATION ELECTRONICS INDUSTRY, LTD.

DOF-0-212E(03.08)

