

MI DRG. NO.

4192

41926

REV.

G

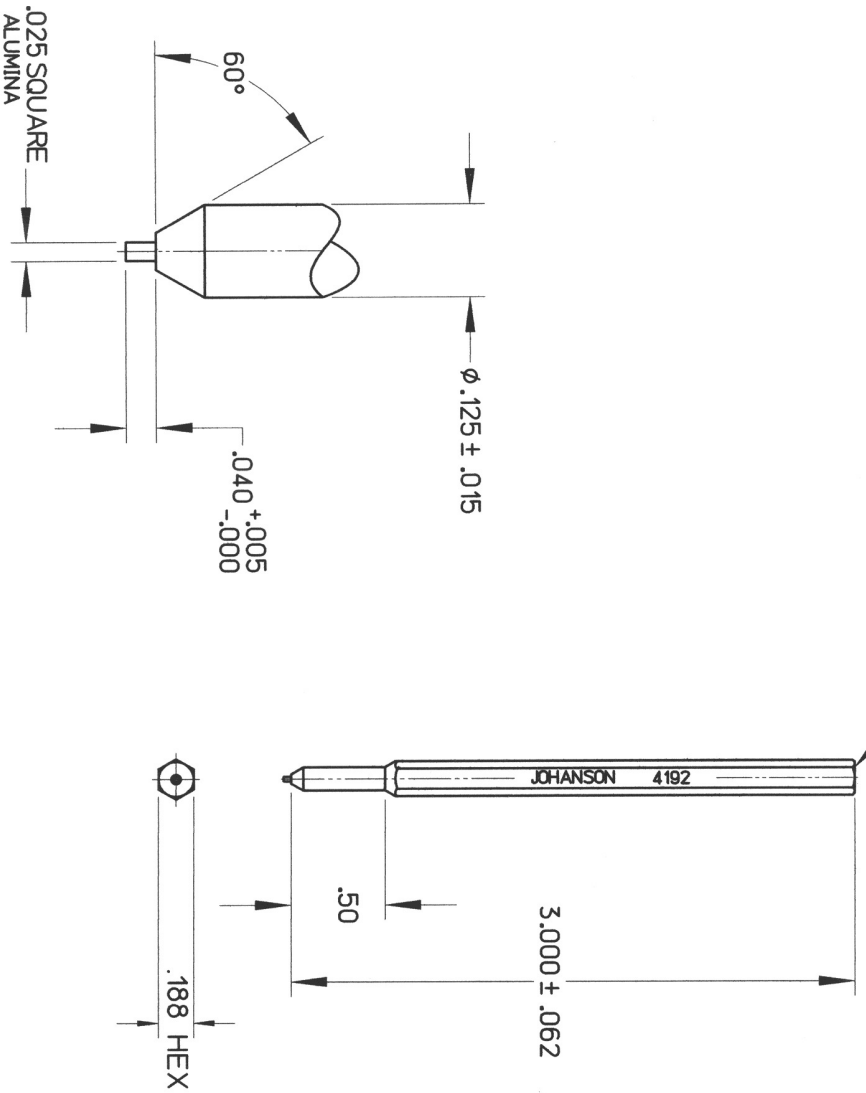
# TUNING TOOL

NOTES

FILE: THINOUT

- 1. MATERIAL: DELRIN & ALUMINA
- 2. DIMENSIONS ARE IN INCHES.

HANDLE, YELLOW



G	03/16/00	-	-	-	000-108
LEVEL	DATE	DRN.	CHK.	APP.	ECN

### REVISIONS

DRN.	CHK	APP.	SCALE
TAM	M	[Signature]	1" = 1"
DATE	DATE	DATE	.XX ± .015
03/16/00	3/16/00	3/16/00	.XXX ± .005



JOHANSON MANUFACTURING CORPORATION  
 ROCKAWAY VALLEY ROAD, BOONTON, N.J. 07005 (973)334-2676 FAX (973)334-2954  
 ELECTRONIC ACCURACY THROUGH MECHANICAL PRECISION

PROPRIETARY INFORMATION CONTAINED NOT TO BE USED WITHOUT JOHANSON MANUFACTURING CORPORATION APPROVAL