

MI DRG. NO.

4192H

REV.

4192

H

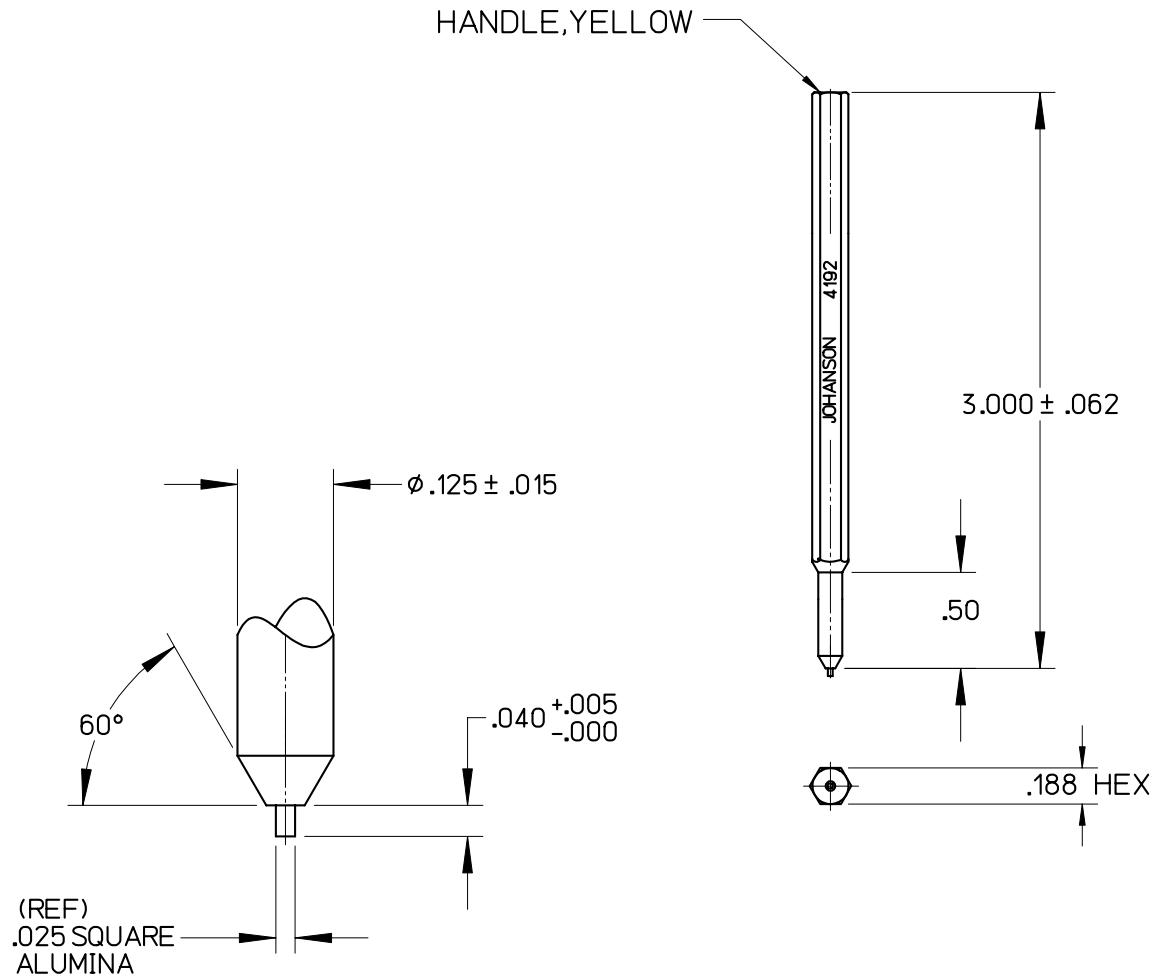
TUNING TOOL

NOTES

FILE: THINOUT

1. MATERIAL: DELRIN & ALUMINA
2. DIMENSIONS ARE IN INCHES.

HANDLE, YELLOW



H	12/21/04	MLD	MAI	JHT	000167
G	03/16/00	-	-	-	000-108
LEVEL	DATE	DRN .	CHK.	APP.	ECN

REVISIONS

DRN.	CHK.	APP.	SCALE
TAM	TAM	JHT	1" = 1"
DATE	DATE	DATE	.XX ± .015
03/16/00	03/16/00	03/16/00	.XXX ± .005

JOHANSON MANUFACTURING CORPORATION

ROCKAWAY VALLEY ROAD, BOONTON, N.J. 07005 (973)334-2676 FAX (973)334-2954
ELECTRONIC ACCURACY THROUGH MECHANICAL PRECISION

PROPRIETARY INFORMATION CONTAINED NOT TO BE USED WITHOUT JOHANSON MANUFACTURING CORPORATION APPROVAL