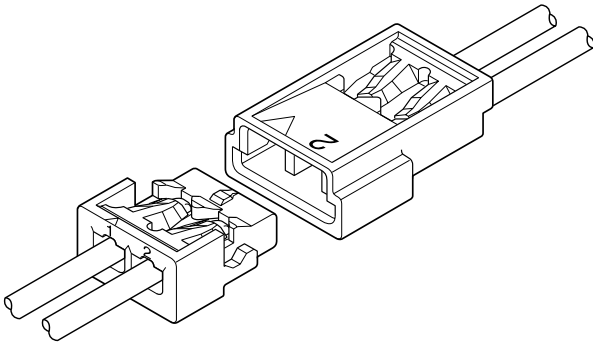


ACH CONNECTOR

1.2mm pitch/Disconnectable Crimp style Wire-to-wire connectors



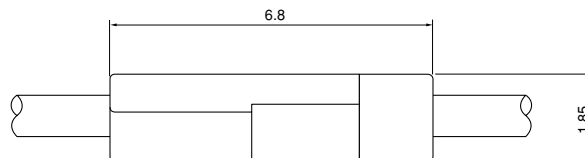
This is the wire-to-wire connector for DC power supply compatible with the ACH connector for PC board.

- Connector for DC power supply
- Common use with the existing socket contact of ACH connector

Specifications

- Current rating: 2A AC, DC
 - Voltage rating: 50V AC, DC
 - Temperature range: -25°C to +85°C
(including temperature rise in applying electrical current)
 - Contact resistance: Initial value/10m Ω max.
After environmental testing/20m Ω max.
 - Insulation resistance: 100M Ω min.
 - Withstanding voltage: 500V AC/minute
 - Applicable wire: Conductor size/AWG #30 to #28
Insulation O.D./0.5 to 0.63mm
- * RoHS compliant products are published.
* Refer to "General Instruction and Notice when using Terminals and Connectors" at the end of this catalog.
* Contact JST for details.

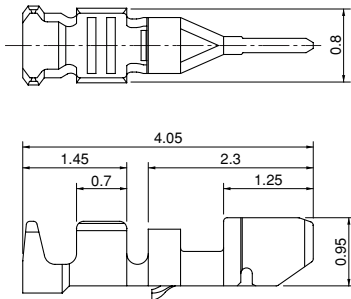
Assembly layout



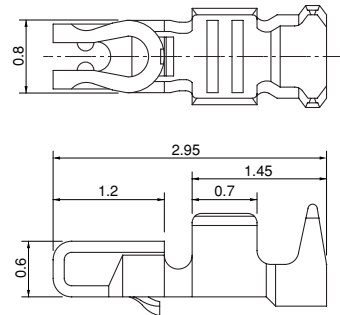
ACH CONNECTOR

Contact

Plug contact



Socket contact



Model No.		Applicable wire		Insulation O.D. (mm)	Q'ty / reel
Plug contact	Socket contact	mm ²	AWG #		
SACHP-003G-P0.2	SACH-003G-P0.2	0.05~0.08	30~28	0.5~0.63	30,000

Material and Finish

Copper alloy, nickel-undercoated, gold-plated

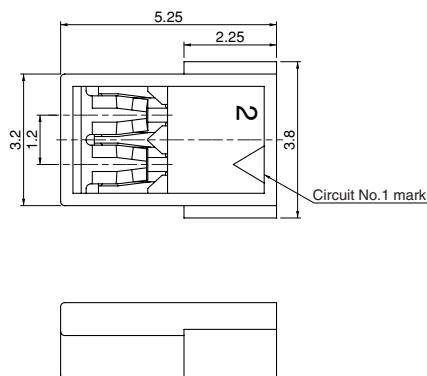
RoHS compliance

Contact	Crimping machine	Applicator		
		Crimp applicator	Dies	Crimp applicator with dies
SACHP-003G-P0.2	AP-K2N	MKS-L-10-3	MK/SACHP-003-02	APLMK SACHP003-02
		—	—	—

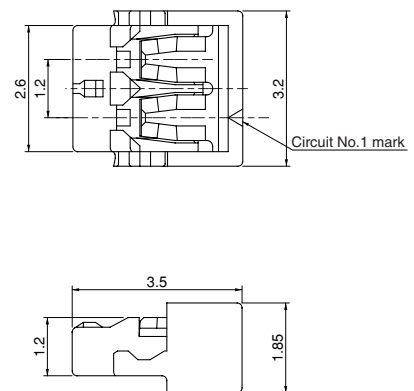
Contact	Crimping machine	Applicator		
		Crimp applicator	Dies	Crimp applicator with dies
SACH-003G-P0.2	AP-K2N	MKS-L-10-3	MK/SACH-003-02	APLMK SACH003-02
		—	—	—

Housing

Plug housing



Socket housing



Model No.		Q'ty / box
Plug housing	Socket housing	
ACHTP-02V-S	ACHTR-02V-S	1,000

Material and Finish

PBT, UL94V-0, natural (white)

RoHS compliance