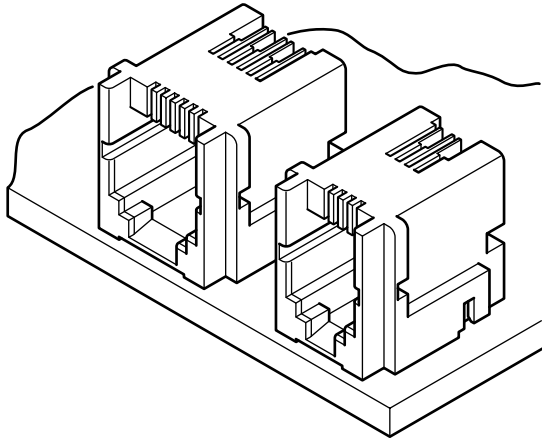


MJ CONNECTOR

Modular jack connectors



- Upper contact point
- Metal hook
- Shielding effect
- Grounding
- Correspond to high-speed LAN transmission (MJ-88U-SD315K-T)

Specifications

- Current rating: 1.3 A AC, DC
 - Voltage rating: 250 V AC, DC
 - Temperature range: -40°C to +80°C
(including temperature rise in applying electrical current)
 - Contact resistance: Initial value/ 20 mΩ max.
After environmental tests/ 40 mΩ max.
 - Insulation resistance: 1,000 MΩ min.
 - Withstanding voltage: 1,000 VAC/minute
 - Applicable PC board thickness: 1.6 mm
2.4 mm (8 circuits straight type)
- * Refer to "General Instruction and Notice when using Terminals and Connectors" at the end of this catalog.
* Contact JST for details.
* Compliant with RoHS.

Standards

Recognized E174260

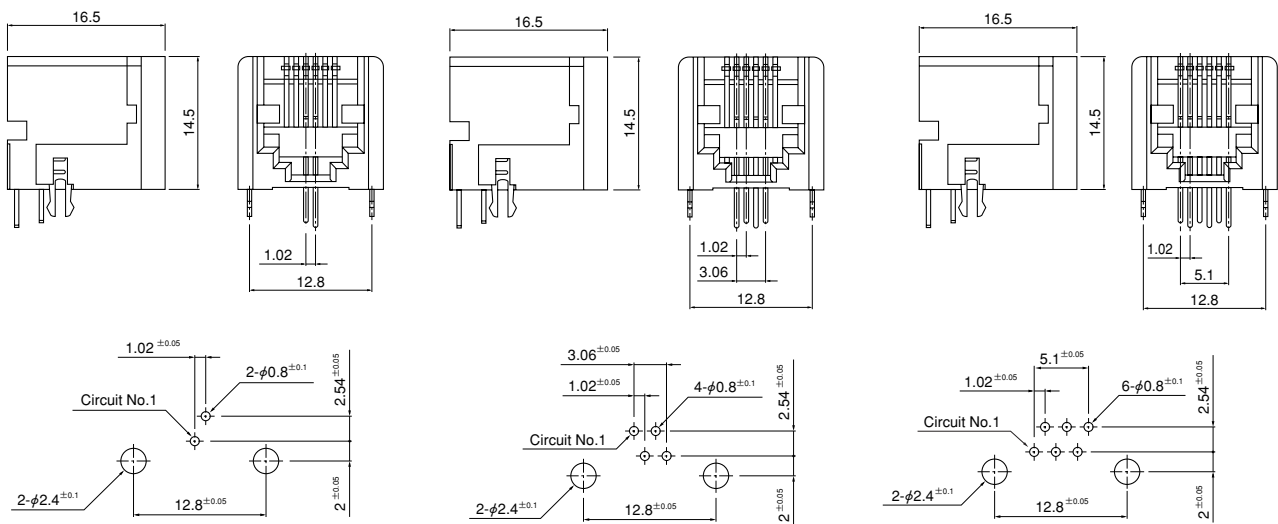
- Certified LR20812
- Conforms to FCC Standards
(6 circuits and 8 circuits MJ connector)

Connector

Normal type
2/6 type

4/6 type

6/6 type



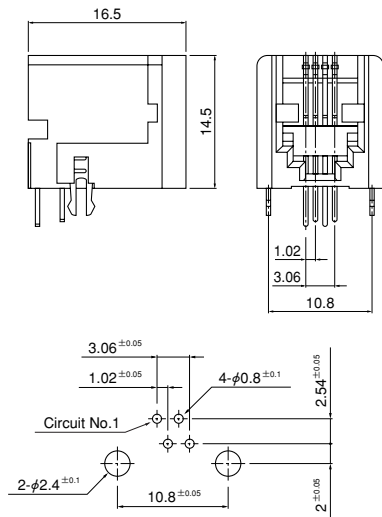
Note: 1. Tolerances are non-cumulative: ± 0.05 mm for all centers.

2. Hole dimensions differ according to the kind of PC board and piercing method. The dimensions above should serve as a guideline. Contact JST for details.

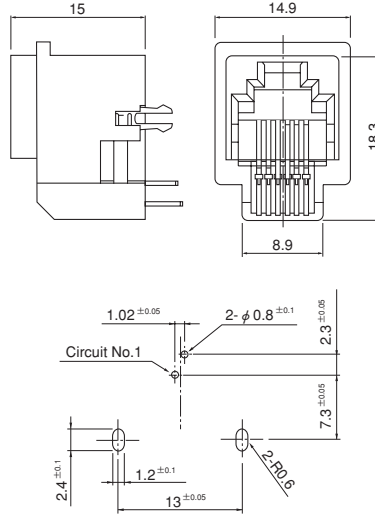
MJ CONNECTOR

Connector and PC board layout (viewed from component side)

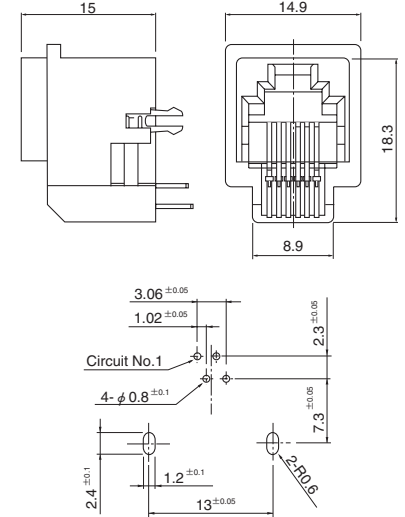
**Normal type
4/4 type**



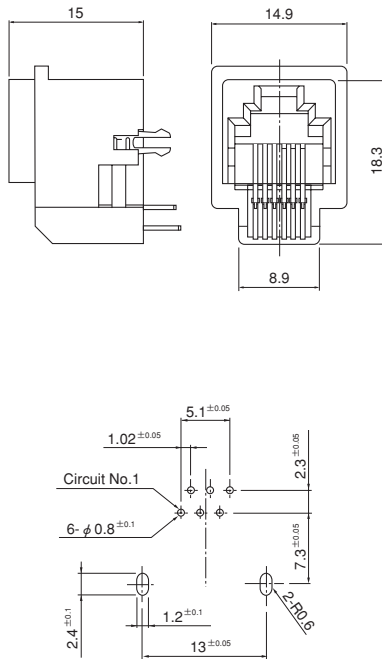
**Straight type
2/6 type**



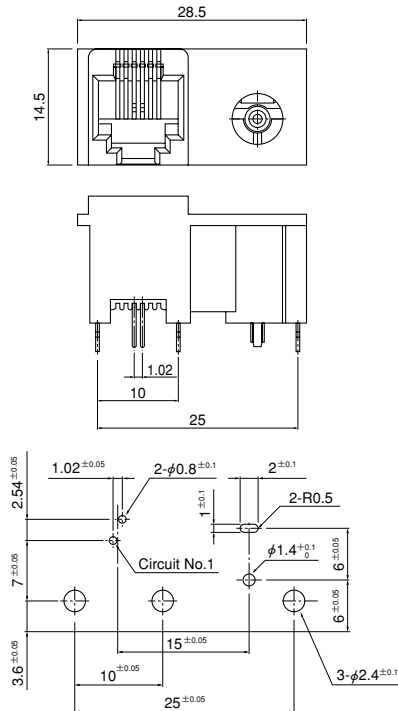
4/6 type



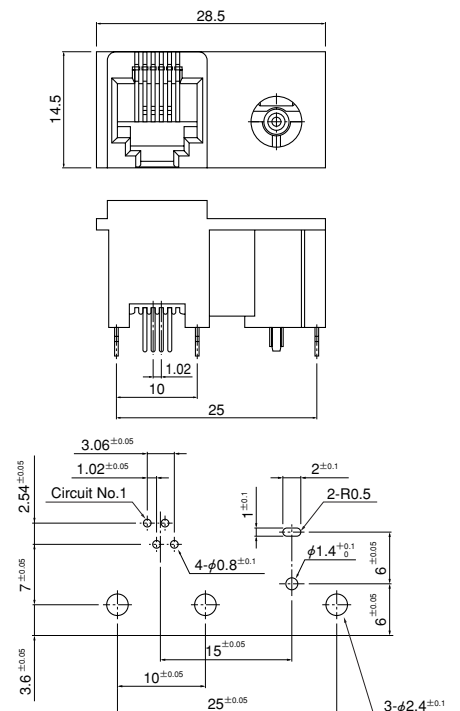
**Straight type
6/6 type**



2/6 type with DC jack



4/6 type with DC jack



Type	Circuits	Model No.	Q'ty / box
Normal type	2/6	MJ-62J-RD315	270
	4/6	MJ-64J-RD315	270
	6/6	MJ-66J-RD315	270
Straight type	4/4	MJ-44J-RD315	306
	2/6	MJ-62C-SD335	180
	4/6	MJ-64C-SD335	180
	6/6	MJ-66C-SD335	180
	2/6 with DC jack	MJ-62D-SD335	108
4/6 with DC jack	MJ-64D-SD335	108	

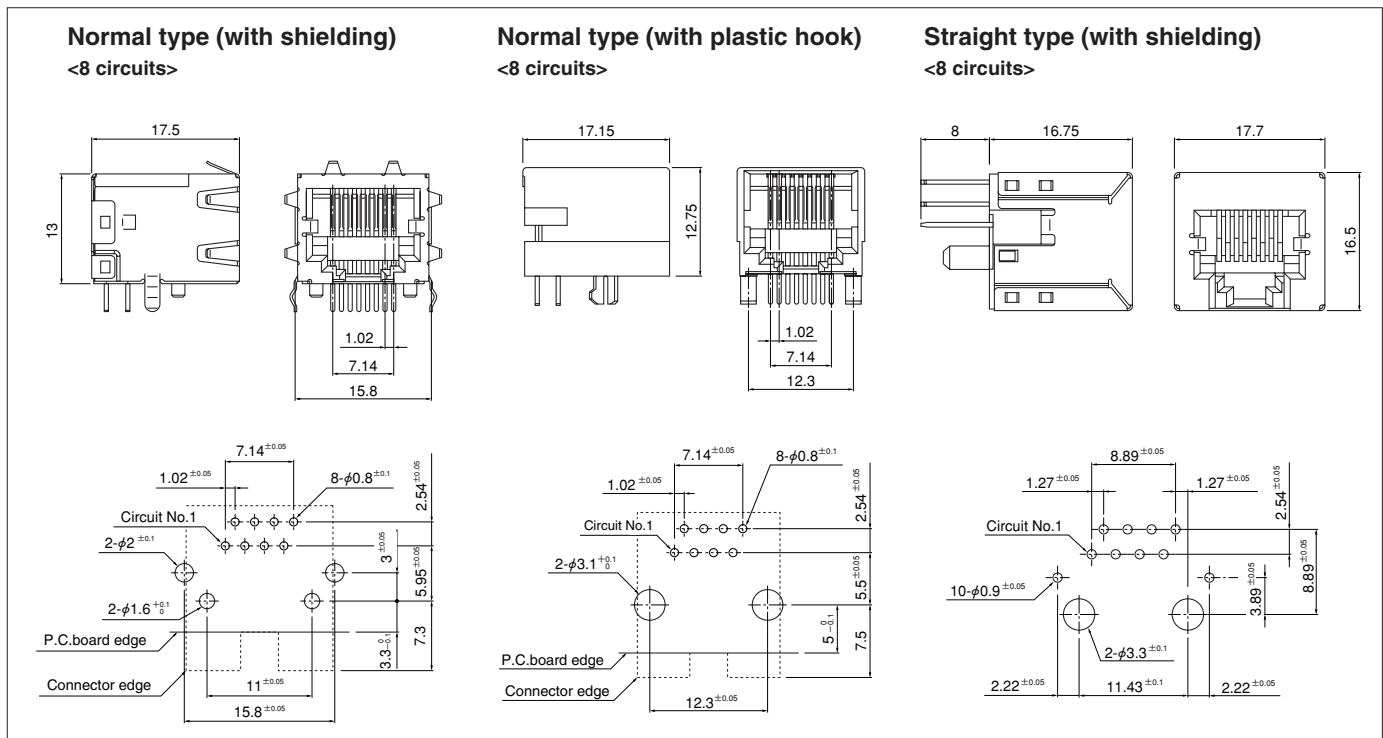
Material and Finish
Contact: Normal type/ Phosphor bronze, nickel-undercoated, Mating part; gold-plated 1.27μm min. Solder tail; tin-plated (reflow treatment)
Straight type/ Phosphor bronze, nickel-undercoated, Mating part; gold-plated 1.27μm min. Overall; gold-plated (flash)
Housing: Glass-filled PBT, UL94V-0 Hook pin: Brass, tin-plated (reflow treatment) Moving contact (spring): Copper alloy, tin-plated (reflow treatment) [with-DC-jack type only] Stationary contact (pin): Brass, nickel-undercoated, tin/copper alloy-plated [with-DC-jack type only]

Note: 1. Tolerances are non-cumulative: ±0.05mm for all centers.
2. Hole dimensions differ according to the kind of PC board and piercing method.
The dimensions above should serve as a guideline. Contact JST for details.

RoHS compliance Normal type displays (LF)(SN) on a label.
The product with DC jack displays (LF) on a label.

MJ CONNECTOR

Connector and PC board layout (viewed from component side)



Type	Circuits	Model No.	Q'ty / box
Normal type (with shielding)	8	MJ-88H-RD315K	520
Normal type (with plastic hook)	8	MJ-88R-RD315K	520
Straight type (with shielding)	8	MJ-88U-SD315K-T	144

Material and Finish

Contact: Phosphor bronze, nickel-undercoated,
Mating part: gold-plated 1.27 μ m min.
Solder tail: tin-plated (reflow treatment)
Housing: Glass-filled PBT, UL94V-0(Normal type)
Glass-filled LCP, UL94V-0(Straight type)
Shield cover: Phosphor bronze, tin-plated (reflow treatment) [Normal type, Straight type]
Shield pin: Phosphor bronze, copper-undercoated, tin-plated (reflow treatment) [Straight type]

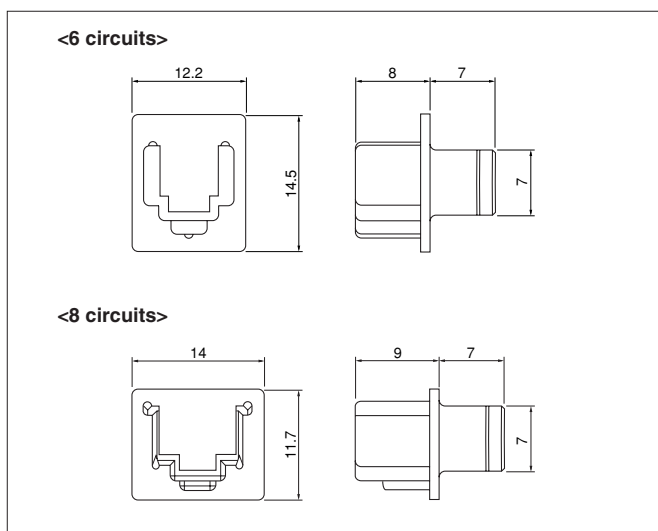
RoHS compliance This product displays (LF)(SN) on a label.

Note: 1. Tolerances are non-cumulative: ± 0.05 mm for all centers.

2. Hole dimensions differ according to the kind of PC board and piercing method.
The dimensions above should serve as a guideline. Contact JST for details.

3. Straight type product is designed for pressing the boss of housing into a PC board and mounting it on a PC board.

Cap for dust



Circuits	Model No.	Q'ty / box
6	MJ-JP56K	500
8	MJ-JP68K	1,000

Material

MJ-JP56K: PA 66, UL94V-0
MJ-JP68K: PBT, UL94V-0

RoHS compliance
Note: Not UL/CSA approved.