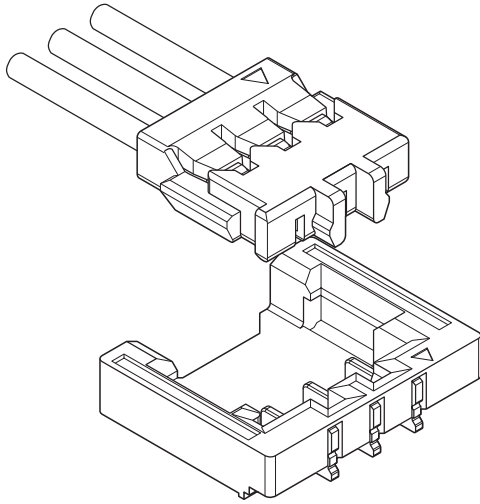


# ACHF CONNECTOR

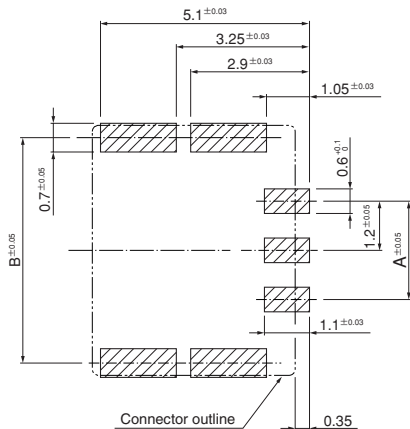


1.2mm pitch/Disconnectable Crimp style connectors

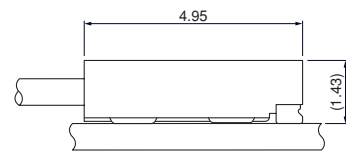


**This ACHF connector is compact and low profile type, height 1.43mm and width 4.95mm, 1.2mm pitch wire-to-board connector.**

- High-strength
- Top entry but side feed type
- Connector for power supply (2.5A)



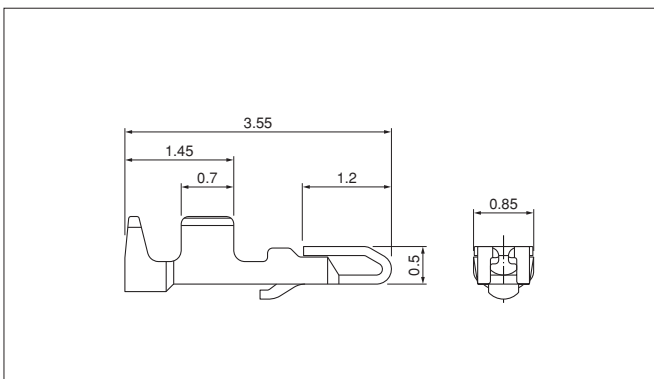
Circuits	Dimensions (mm)	
	A	B
3	2.4	5.5
4	3.6	6.7
6	6.0	9.1



Note: 1. The above figure is the figure viewed from the connector mounting side.

2. Tolerances are non-cumulative: ±0.05mm for all centers. The dimensions above should serve as a guideline. Contact JST for details.

## Contact



Model No.	Applicable wire		Insulation O.D. (mm)	Q'ty / reel
	mm <sup>2</sup>	AWG#		
<b>SACHF-003GAC-P0.2</b>	0.05~0.08	30~28	0.5~0.63	40,000

### Material and Finish

Copper alloy, nickel-undercoated, gold-plated

### RoHS compliance

Contact	Crimping machine	Applicator		
		Crimp applicator	Dies	Crimp applicator with dies
<b>SACHF-003GAC-P0.2</b>	AP-K2N	MKS-L-10-4	MK/SACHF-003-02	APLMK SACHF003-02
		—	—	—

## Specifications

- Current rating: 2.5A AC, DC (AWG #28)
- Voltage rating: 50V AC, DC
- Temperature range: -25°C to +85°C  
(including temperature rise in applying electrical current)
- Contact resistance: Initial value/ 10m Ω max.  
After environmental testing/ 20m Ω max.
- Insulation resistance: 100M Ω min.
- Withstanding voltage: 500V AC/minute
- Applicable wire: Conductor size/ AWG #30 to #28  
Insulation O.D./ 0.5 to 0.63mm

\* Compliant with RoHS.

\* Refer to "General Instruction and Notice when using Terminals and Connectors" at the end of this catalog.

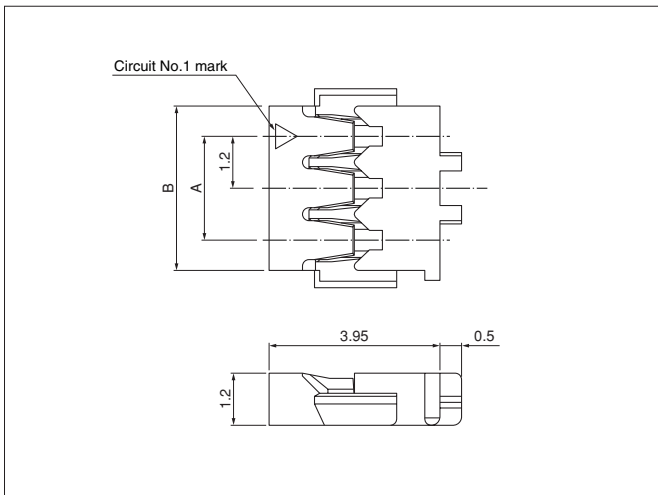
\* Contact JST for details.

## Standards

Recognized E60389

# ACHF CONNECTOR

## Housing



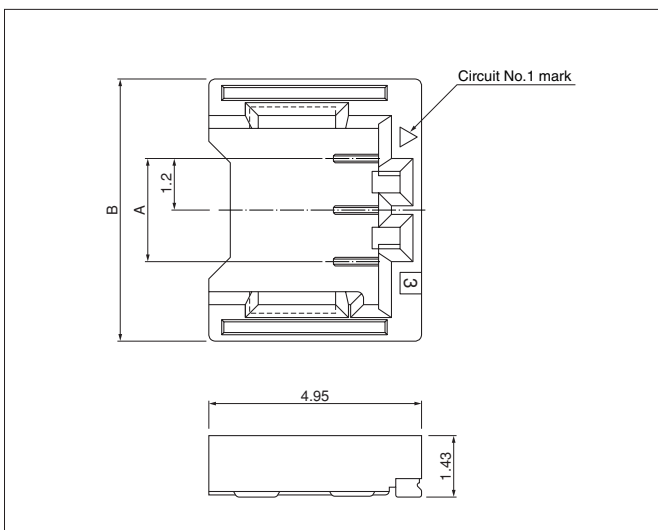
Circuits	Model No.	Dimensions (mm)		Qty / bag
		A	B	
3	<b>ACHFR-03V-H</b>	2.4	3.8	1,000
4	<b>ACHFR-04V-H</b>	3.6	5.0	1,000
6	<b>ACHFR-06V-H</b>	6.0	7.4	1,000

### Material

PBT, UL94V-0, gray

### RoHS compliance

## Shrouded header



Circuits	Model No.	Dimensions (mm)		Qty / reel
		A	B	
3	<b>BM03B-ACHFKS-GACN-ETF</b>	2.4	6.1	6,000
4	<b>BM04B-ACHFKS-GACN-ETF</b>	3.6	7.3	6,000
6	<b>BM06B-ACHFKS-GACN-ETF</b>	6.0	9.7	6,000

### Material and Finish

Contact: Copper alloy, nickel-undercoated, gold-plated (nickel-stripe)

Housing: Heat resisting resin, UL94V-0, black

Reinforcement: Copper alloy, copper-undercoated, tin-plated (reflow treatment)

**RoHS compliance** This product displays (LF)(SN) on a label.

Note: The products listed above are supplied on embossed-tape.