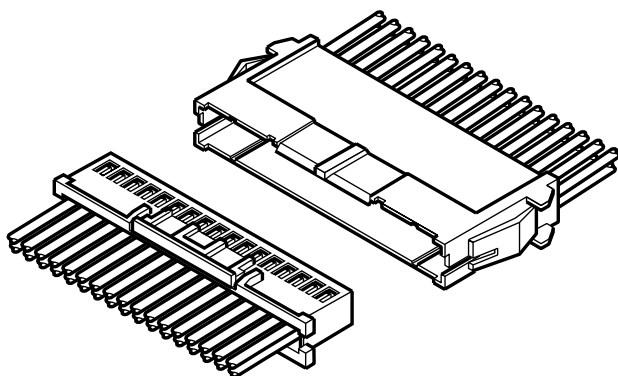


XAD CONNECTOR

Disconnectable Crimp style wire-to-wire connectors



2.5mm (.098") pitch grid (dual in row) wire-to-wire connector that can mate with the socket of XAD connector (board-to-wire type).



Features

- **Possible to mate with the existing XAD socket**
The wire-to-wire connection with the existing XAD socket is possible.
- **Inner type contact lance**
Inner type contact lance with stabilizer function provides stable contact retention force without deformation of the lance, and clear click feeling towards housing.
- **Mountable on a variety of panels**
Possible to mount on panels of 0.5mm (.020") to 2.0mm (.079") thick. The design prevents from reverse mating and wire tangling toward panel section.
- **Secure lock construction**
Secure lock construction prevents accidental disconnection because of routing of wires or of vibration, and also reverse and different circuit numbers mating.

Specifications

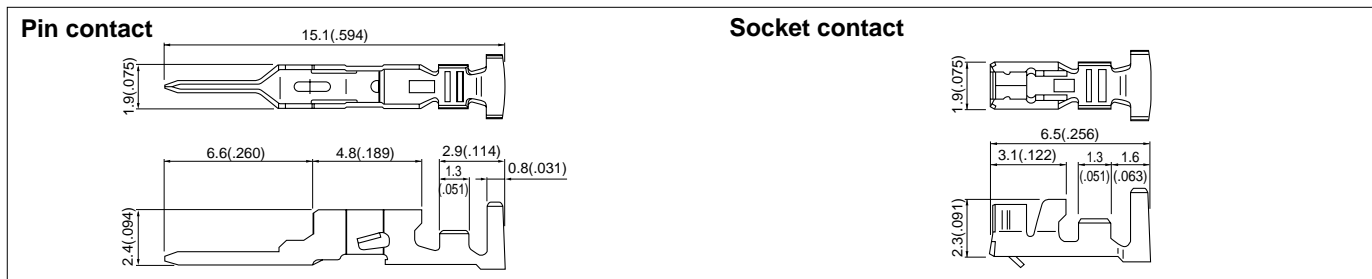
- Current rating: 3A AC, DC max. (AWG #20)
- Voltage rating: 250V AC, DC max.
- Temperature range: -25°C to +85°C
(including temperature rise in applying electrical current)
- Contact resistance: Initial value/10m Ω max.
After environmental testing/20m Ω max.
- Insulation resistance: 500M Ω min.
- Withstanding voltage: 1,500V AC/minute
- Applicable wire: AWG #28 to #20
- * Contact JST if Lead-Free product is required.
- * Refer to "General Instruction and Notice when using Terminals and Connectors" at the end of this catalog.
- * Contact JST for details.

Standards

- Recognized E60389
- Certified LR20812

XAD CONNECTOR

Contact



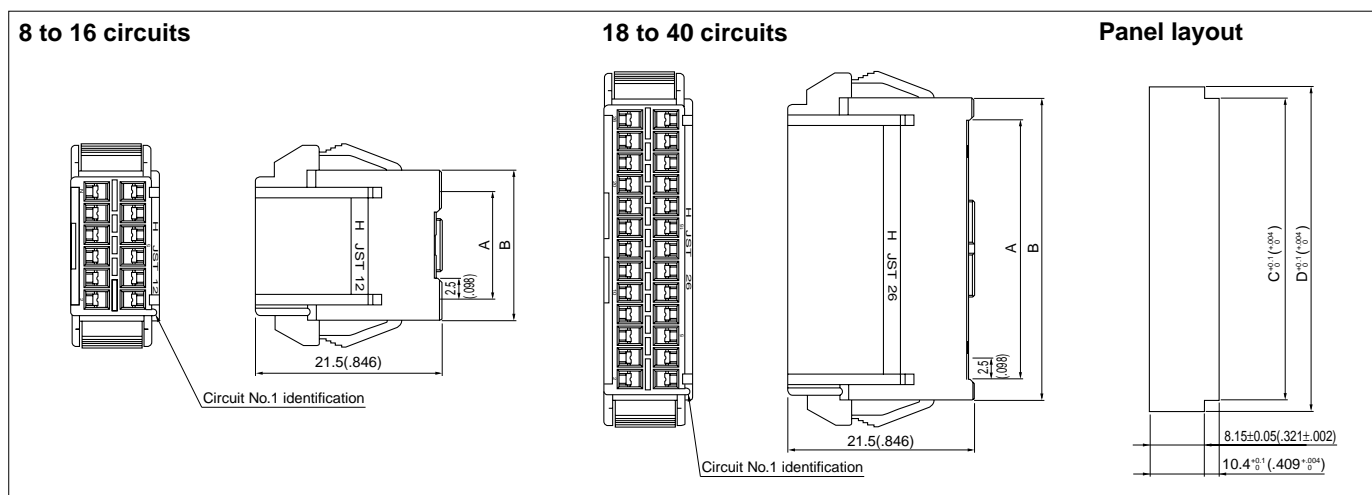
Model No.		Applicable wire		Insulation O.D.mm(in.)	Q'ty / reel	
Pin contact	Socket contact	mm ²	AWG #		Pin contact	Socket contact
SXAM-001T-P0.6	SXA-001T-P0.6	0.08 to 0.33	28 to 22	1.2 to 1.9(.047 to .075)	7,000	8,000
SXAM- 01T-P0.6	SXA- 01T-P0.6	0.22 to 0.5	24 to 20	1.5 to 1.9(.059 to .075)	7,000	8,000
—	SXA-001T-P0.6L	0.13 to 0.33	26 to 22	1.3 to 1.7(.051 to .067)	—	8,000

Material and Finish

Phosphor bronze, tin-plated

Note: Contact JST for gold-plated contacts.

Receptacle housing

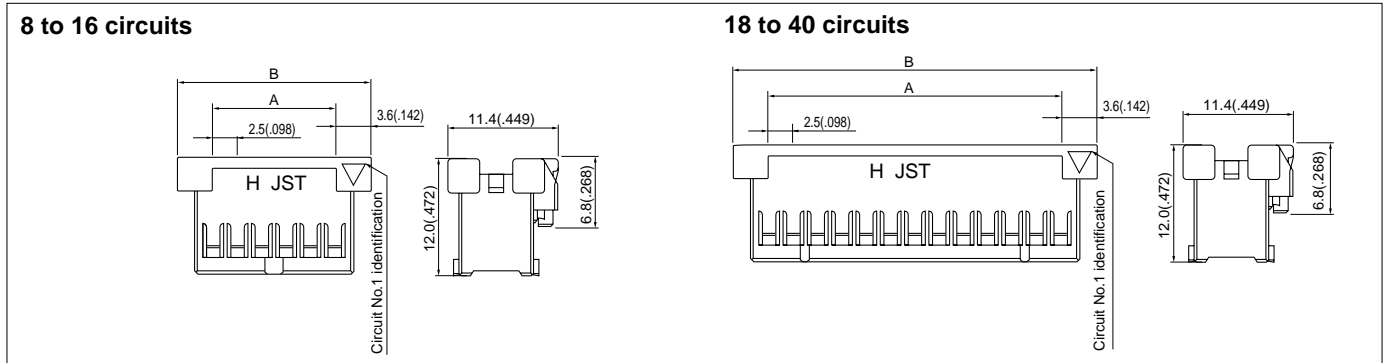


Circuits	Model No.	Dimensions mm(in.)				Q'ty / bag
		A	B	C	D	
8	XADR-08V	7.5(.295)	12.5(.492)	12.9(.508)	16.2(.638)	1,000
10	XADR-10V	10.0(.394)	15.0(.591)	15.4(.606)	18.7(.736)	500
12	XADR-12V	12.5(.492)	17.5(.689)	17.9(.705)	21.2(.835)	500
14	XADR-14V	15.0(.591)	20.0(.787)	20.4(.803)	23.7(.933)	500
16	XADR-16V	17.5(.689)	22.5(.886)	22.9(.902)	26.2(1.031)	300
18	XADR-18V	20.0(.787)	25.0(.984)	25.4(1.000)	28.7(1.130)	300
20	XADR-20V	22.5(.886)	27.5(1.083)	27.9(1.098)	31.2(1.228)	300
22	XADR-22V	25.0(.984)	30.0(1.181)	30.4(1.197)	33.7(1.327)	300
24	XADR-24V	27.5(1.083)	32.5(1.280)	32.9(1.295)	36.2(1.425)	300
26	XADR-26V	30.0(1.181)	35.0(1.378)	35.4(1.394)	38.7(1.524)	300
28	XADR-28V	32.5(1.280)	37.5(1.476)	37.9(1.492)	41.2(1.622)	300
30	XADR-30V	35.0(1.378)	40.0(1.575)	40.4(1.591)	43.7(1.720)	300
32	XADR-32V	37.5(1.476)	42.5(1.673)	42.9(1.689)	46.2(1.819)	300
34	XADR-34V	40.0(1.575)	45.0(1.772)	45.4(1.787)	48.7(1.917)	200
36	XADR-36V	42.5(1.673)	47.5(1.870)	47.9(1.886)	51.2(2.016)	200
40	XADR-40V	47.5(1.870)	52.5(2.067)	52.9(2.083)	56.2(2.213)	200

Material

Nylon 66, UL94V-0, natural (white)

Plug housing

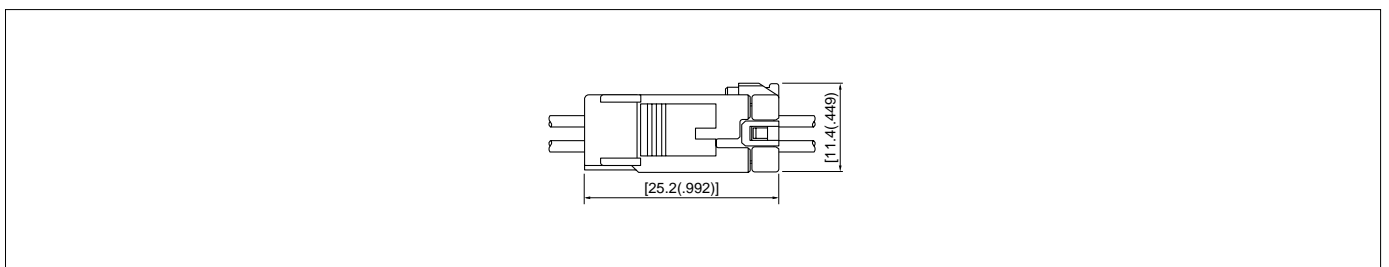


Circuits	Model No.	Dimensions mm(in.)		Q'ty / bag
		A	B	
8	XADRP-08V	7.5(.295)	14.7(.579)	1,000
10	XADRP-10V	10.0(.394)	17.2(.677)	1,000
12	XADRP-12V	12.5(.492)	19.7(.776)	1,000
14	XADRP-14V	15.0(.591)	22.2(.874)	1,000
16	XADRP-16V	17.5(.689)	24.7(.972)	1,000
18	XADRP-18V	20.0(.787)	27.2(1.071)	1,000
20	XADRP-20V	22.5(.886)	29.7(1.169)	500
22	XADRP-22V	25.0(.984)	32.2(1.268)	500
24	XADRP-24V	27.5(1.083)	34.7(1.366)	500
26	XADRP-26V	30.0(1.181)	37.2(1.465)	500
28	XADRP-28V	32.5(1.280)	39.7(1.563)	500
30	XADRP-30V	35.0(1.378)	42.2(1.661)	500
32	XADRP-32V	37.5(1.476)	44.7(1.760)	500
34	XADRP-34V	40.0(1.575)	47.2(1.858)	500
36	XADRP-36V	42.5(1.673)	49.7(1.957)	500
40	XADRP-40V	47.5(1.870)	54.7(2.154)	250

Material

Nylon 66, UL94V-0, natural (white)

Assembly layout



Applicator for the semi-automatic press AP-K2N

Contact	Crimp applicator MKS-L		Compact crimp applicator MKS-LS		Strip-crimp applicator MKS-SC
	with safety cover	without safety cover	with safety cover	without safety cover	with safety cover
SXA-001T-P0.6	APLMK SXAM/XA001-06	APLNC SXAM/XA001-06	-	-	APLSC SXA/M001-06
SXA-001T-P0.6L	APLMK SXA001-06L	APLNC SXA001-06L	-	-	APLSC SXA001-06L
SXA-01T-P0.6	APLMK SXAM/XA01-06	APLNC SXAM/XA01-06	-	-	APLSC SXAM/XA01-06
SXAM-001T-P0.6	APLMK SXAM/XA001-06	APLNC SXAM/XA001-06	-	-	APLSC SXAM/XA001-06
SXAM-01T-P0.6	APLMK SXAM/XA01-06	APLNC SXAM/XA01-06	-	-	APLSC SXAM/XA01-06