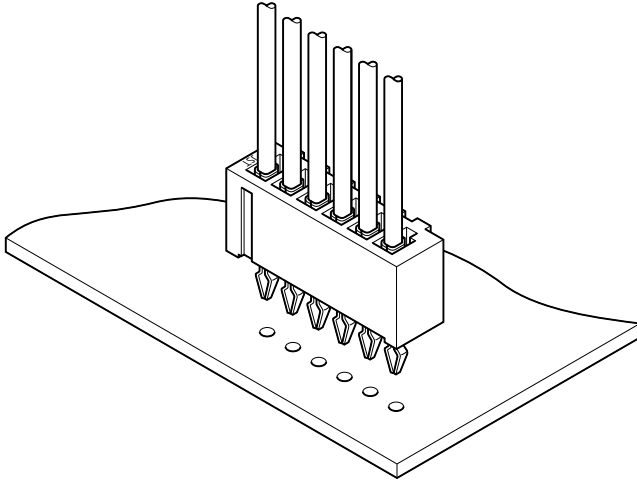


# SCN CONNECTOR

2.5 mm pitch/Board-in Crimp style connectors



This 2.5 mm pitch multi-circuit board-in connector meets the needs for high-density mounting on printed circuit boards efficiently and economically. The connector can be used for VCRs, car stereo systems, audio products, and many other consumer-oriented electronic products.

- Easy inserting contacts into housing
- Secure mounting on printed circuit boards
- Two types of contacts

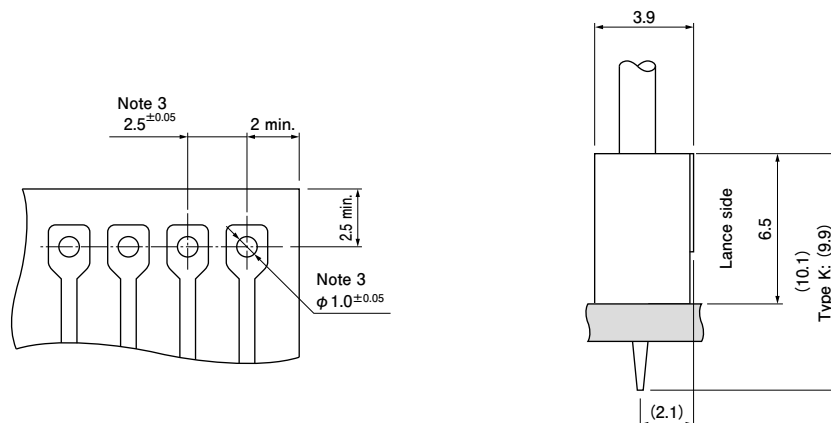
## Specifications

- Current rating: 3 A AC/DC (AWG #22)
  - Voltage rating: 250 V AC/DC
  - Temperature range: -25°C to +85°C  
(including temperature rise in applying electrical current)
  - Insulation resistance: 1,000 MΩ min.
  - Withstanding voltage: 800 VAC/minute
  - Applicable wire: AWG #28 to #22
  - Applicable PC board thickness: 1.2 mm, 1.6 mm
- \* In using the products, refer to "Handling Precautions for Terminals and Connectors" described on our website (Technical documents of Product information page).
- \* RoHS2 compliance
- \* Dimensional unit: mm
- \* Contact JST for details.

## Standards

Recognized E60389

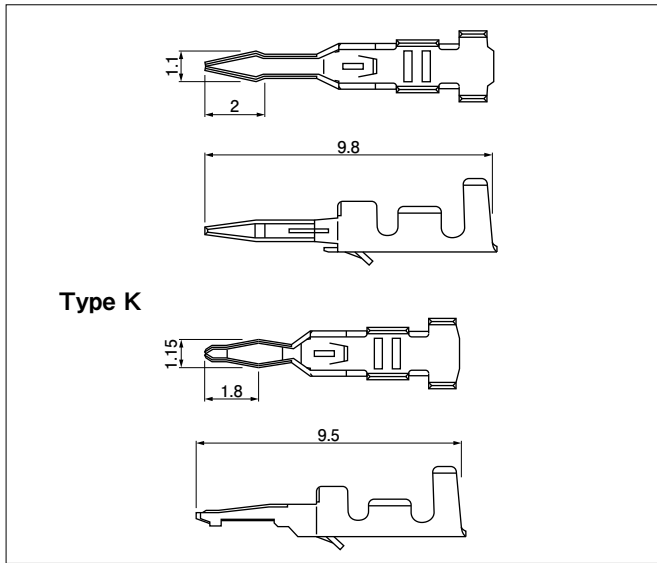
### PC board layout and Assembly layout



- Note: 1. The above figure is the figure viewed from the soldering side.  
 2. Applicable PC board thickness is 1.6 mm, and the one of Type K is 1.6 mm and 1.2 mm.  
 3. Contact JST for the hole size of Type K 7- circuit or more, since it differs from  $1.0 \pm 0.05$  dia. Tolerance for the drilling hole pitch on PCB is  $\pm 0.05$  throughout, and shall not be cumulative over than  $\pm 0.05$ .  
 4. Hole dimensions differ according to the type of PC board and piercing method. The dimensions described in the above figure should be given as reference. Contact JST for details.

# SCN CONNECTOR

## Contact



Model No.	Type	Applicable wire		Insulation O.D. (mm)	Material	Q'ty/reel
		mm <sup>2</sup>	AWG #			
SCN-001T-P1.0	—	0.08~0.33	28~22	0.9~1.7	Phosphor bronze	11,000
SCN-001T-1.0K	K				Brass	

### Material and Finish

Tin-plated (reflow treatment)

### RoHS2 compliance

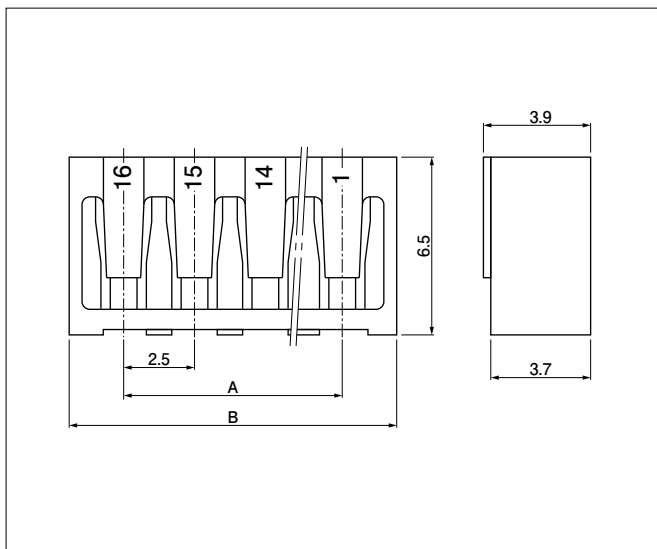
Note: 1. Contact JST if you require shielded wires, thin wires or other special wires.

2. Contact JST for brass products.

Contact	Crimping machine	Applicator		
		Crimp applicator	Dies	Crimp applicator with dies
SCN-001T-P1.0	AP-K2N	MKS-L	MK/SCN-001-10	APLMK SCN001-10
SCN-001T-1.0K				

Note: Contact JST for fully automatic crimping applicator.

## Housing



No. of circuits	Model No.	Dimensions (mm)		Q'ty/bag
		A	B	
2	<b>2P-SCN</b>	2.5	6.5	1,000
3	<b>3P-SCN</b>	5.0	9.0	1,000
4	<b>4P-SCN</b>	7.5	11.5	1,000
5	<b>5P-SCN</b>	10.0	14.0	1,000
6	<b>6P-SCN</b>	12.5	16.5	1,000
7	<b>7P-SCN</b>	15.0	19.0	1,000
8	<b>8P-SCN</b>	17.5	21.5	1,000
9	<b>9P-SCN</b>	20.0	24.0	1,000
10	<b>10P-SCN</b>	22.5	26.5	1,000
11	<b>11P-SCN</b>	25.0	29.0	1,000
12	<b>12P-SCN</b>	27.5	31.5	1,000
13	<b>13P-SCN</b>	30.0	34.0	1,000
14	<b>14P-SCN</b>	32.5	36.5	1,000
15	<b>15P-SCN</b>	35.0	39.0	1,000
16	<b>16P-SCN</b>	37.5	41.5	1,000

### Material and Finish

PA 66, UL94V-0, ivory

### RoHS2 compliance

<For reference> As the color identification, the following alphabet shall be put in the underlined part. For availability, delivery and minimum order quantity, contact JST.

ex. **2P-SCN-oo**  
 (blank) ...ivory  
 K...black R...red Y...yellow