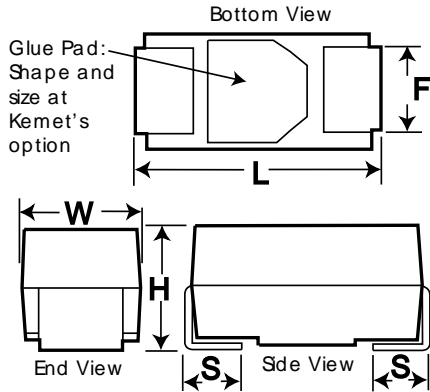


Capacitor, aluminum, 150 uF, +/-20% Tol



| Dimensions (mm) | | |
|-----------------|-----------|-----------|
| Symbol | Dimension | Tolerance |
| L | 7.3 | +/-0.3 |
| W | 4.3 | +/-0.3 |
| H | 4 | +/-0.3 |
| F | 2.4 | +/-0.1 |
| S | 1.3 | +/-0.3 |

Notes:

-In polarity stripe, at KEMET's option, type may be indicated: AO
 = KEMET's Aluminum Organic Cathode capacitor.

| General Information | |
|---------------------|-------|
| Manufacturer: | KEMET |

| Specifications | |
|-----------------------------|-----------|
| Value: | 150 uF |
| Rated Temperature: | 125C |
| Voltage @ rated temp: | 6.3V |
| Temperature Range: | -55/+125C |
| Tolerance: | +/-20% |
| Footprint: | 7343 |
| ESR at 100kHz @ room temp: | 15 mOhm |
| Leakage Current: | 57 uA |
| Dissipation Factor: | 6% |
| Ripple 100kHz @ rated temp: | 3.9 A |

| Packaging Specifications | |
|--------------------------|-------|
| Package Kind: | T&R |
| Package Size: | 330mm |
| Package Quantity: | 500 |