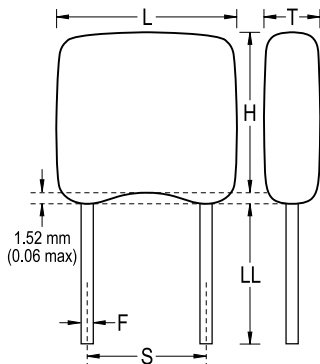


Capacitor, ceramic, 0.47 uF, +/-20% Tol, 50 V, Z5U, Lead Spacing=0.1"



General Information	
Supplier:	KEMET
Application:	General Purpose
Temperature Coefficient:	Z5U
Body Type:	Radial Conformal
Lead Type:	Wire Leads
Termination Type:	Tin (Sn)
RoHS:	Yes

Specifications	
Capacitance:	0.47 uF
Voltage:	50 V
Tolerance:	+/-20%
Temperature Range:	+10/+85C
Failure Rate:	N/A
Dissipation Factor:	4%
Insulation Resistance:	210 MOhm
Dielectric Strength:	125 V

Dimensions (mm)		
Symbol	Dimension	Tolerance
L	5.08	MAX
H	5.84	MAX
T	3.18	MAX
S	2.54	NOM
LL	7	MIN
F	0.51	NOM

Packaging Specifications	
Package Kind:	T&R
Package Size:	12in
Package Type:	H0=18mm
Package Quantity:	2500