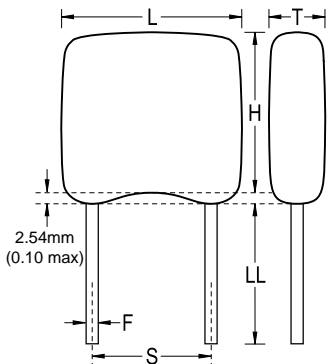


Ceramic, Commercial Grade, GoldMax, 0.22 uF, 10%, 200 V, X7R, Lead Spacing = 5.08mm



Dimensions

L	7.36mm MAX
H	8.13mm MAX
T	4.07mm MAX
S	5.08mm NOM
LL	7mm MIN
F	0.51mm NOM

Packaging Specifications

Packaging:	T&R, 305mm, H0 = 18mm
Packaging Quantity:	1000

General Information

Style:	Radial
Series:	GoldMax
Description:	GoldMax, Commercial Standard
RoHS:	Yes
Termination:	Tin
Failure Rate:	N/A

Specifications

Capacitance:	0.22 uF
Capacitance Tolerance:	10%
Voltage DC:	200 VDC
Temperature Range:	-55/+125C
Temperature Coefficient:	X7R
Dissipation Factor:	2.5%
Aging Rate:	3% Loss/Decade Hour
Insulation Resistance:	4.55 GOhms
Dielectric Strength:	500 V