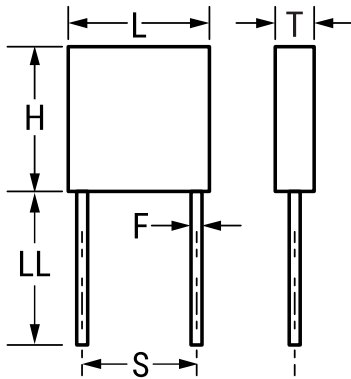


**KEMET Part Number: CK06BX105M**  
(C062K105M5X5CA)

LDD Mil X7R C11015, Ceramic, Military/High Reliability, 1 uF, 20%, 50 VDC, BX, N/A, Lead Spacing = 5.08mm



**Dimensions**

<b>L</b>	7.37mm +/-0.25mm
<b>H</b>	7.37mm +/-0.25mm
<b>T</b>	2.29mm +/-0.25mm
<b>S</b>	5.08mm +/-0.38mm
<b>LL</b>	31.75mm MIN
<b>F</b>	0.635mm +/-0.051mm

**Packaging Specifications**

<b>Packaging:</b>	Bulk, Bag
<b>Packaging Quantity:</b>	100

**General Information**

<b>Supplier:</b>	KEMET
<b>Series:</b>	LDD Mil X7R C11015
<b>Style:</b>	Radial
<b>RoHS:</b>	No
<b>Prop 65:</b>	<b>⚠ WARNING:</b> Cancer and reproductive harm - <a href="http://www.p65warnings.ca.gov">www.p65warnings.ca.gov</a> .
<b>REACH:</b>	SVHC (Pb - CAS 7439-92-1)
<b>Termination:</b>	Lead (SnPb)
<b>Failure Rate:</b>	N/A
<b>Testing and Reliability:</b>	MIL-PRF-11015
<b>Qualifications:</b>	MIL-PRF-11015
<b>Notes:</b>	Lead Length Shown Is For Parts Supplied In Bulk, See Packaging Specifications For Lead Lengths When Not Provided In Bulk

**Specifications**

<b>Capacitance:</b>	1 uF
<b>Capacitance Tolerance:</b>	20%
<b>Voltage DC:</b>	50 VDC
<b>Dielectric Withstanding Voltage:</b>	125 V
<b>Temperature Range:</b>	-55/+125C
<b>Temperature Coefficient:</b>	BX
<b>Dissipation Factor:</b>	2.5%
<b>Insulation Resistance:</b>	1 GOhms