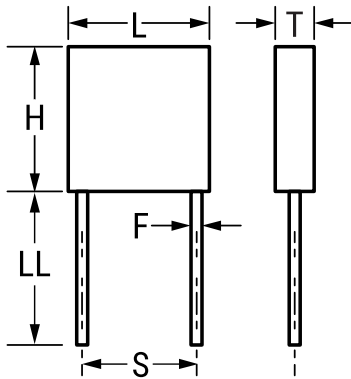


KEMET Part Number: CK06BX274K
(C062K274K5X5CA)

LDD Mil X7R C11015, Ceramic, Military/High Reliability, 0.27 uF, 10%, 50 VDC, BX, N/A, Lead Spacing = 5.08mm



Dimensions

| | |
|----|--------------------|
| L | 7.37mm +/-0.25mm |
| H | 7.37mm +/-0.25mm |
| T | 2.29mm +/-0.25mm |
| S | 5.08mm +/-0.38mm |
| LL | 31.75mm MIN |
| F | 0.635mm +/-0.051mm |

Packaging Specifications

| | |
|---------------------|-----------|
| Packaging: | Bulk, Bag |
| Packaging Quantity: | 100 |

General Information

| | |
|--------------------------|--|
| Supplier: | KEMET |
| Series: | LDD Mil X7R C11015 |
| Style: | Radial |
| RoHS: | No |
| Prop 65: | ⚠ WARNING: Cancer and reproductive harm - www.p65warnings.ca.gov . |
| REACH: | SVHC (Pb - CAS 7439-92-1) |
| Termination: | Lead (SnPb) |
| Failure Rate: | N/A |
| Testing and Reliability: | MIL-PRF-11015 |
| Qualifications: | MIL-PRF-11015 |
| Notes: | Lead Length Shown Is For Parts Supplied In Bulk, See Packaging Specifications For Lead Lengths When Not Provided In Bulk |

Specifications

| | |
|----------------------------------|-----------|
| Capacitance: | 0.27 uF |
| Capacitance Tolerance: | 10% |
| Voltage DC: | 50 VDC |
| Dielectric Withstanding Voltage: | 125 V |
| Temperature Range: | -55/+125C |
| Temperature Coefficient: | BX |
| Dissipation Factor: | 2.5% |
| Insulation Resistance: | 3.7 GOhms |