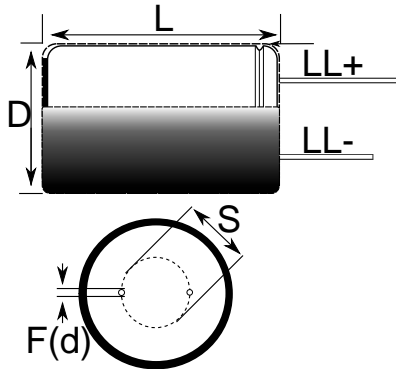


Capacitor, aluminum, 220 uF, +/-20% Tol, -40/+85C, 35 VDC@85C



Note: '()' correspond to the letters used in the product bulletin

| Dimensions (mm) | | |
|-----------------|-----------|-----------|
| Symbol | Dimension | Tolerance |
| D | 8 | +/-0.5 |
| L | 11 | +1.5 |
| S | 3.5 | +/-0.5 |
| LLPos | 20 | MIN |
| LLNeg | 15 | MIN |
| F | 0.6 | NOM |

| Packaging Specifications | |
|--------------------------|------|
| Package Kind: | Bulk |
| Package Type: | Bag |
| Package Quantity: | 6000 |

| General Information | |
|------------------------|-------------------------------------|
| Supplier: | KEMET |
| Application: | General Purpose |
| Part Type Description: | Single Ended, Aluminum Electrolytic |
| Lead Type: | Wire Leads |
| RoHS: | Yes |

| Specifications | |
|-------------------------|-----------------------|
| Capacitance: | 220 uF |
| Voltage: | 35 VDC |
| Tolerance: | +/-20% |
| Voltage: | 44 VDC (Surge) |
| Life: | 2000 Hrs |
| Rated Temperature: | 85C |
| Temperature Range: | -40/+85C |
| Leakage Current: | 77 uA |
| Leakage Condition: | uAmps (2min 20C) |
| Dissipation Factor: | 12% |
| Impedance Ratio -25C: | 3.0 |
| Impedance Ratio -40C: | 3.0 |
| Current/Ripple Current: | 290 mAmps (120Hz 85C) |