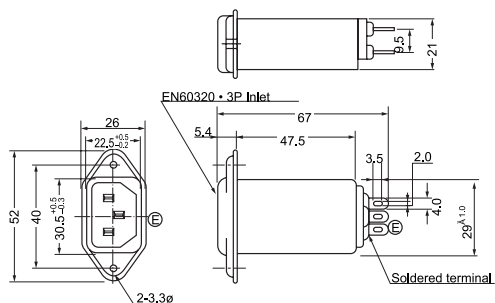


KEMET, GL-C, EMI/RFI Filters, Noise Suppression, 250 VAC, 250 V, 3 A



Dimensions

L	67mm NOM
W	52mm NOM
H	26mm NOM

Packaging Specifications

Weight:	55 g
----------------	------

General Information

Series:	GL-C
Style:	Inlet
Description:	Noise Filters
Features:	Inlet Type
RoHS:	Yes
Qualifications:	UL, CSA, TUV, VDE
Miscellaneous:	30 K Self-Temperature Rise Max.

Specifications

Voltage AC:	250 VAC
Ripple Current:	3 A (AC/DC)
Temperature Range:	-25/+55°C
Voltage:	250 VDC, 1500 VAC Withstanding Voltage 1 Min. Line to Ground
Leakage Current:	500 uA MAX (250 V 60 Hz)
Resistance:	300 MOhms MIN Insulation 500 VDC 1 Min. Line To Ground