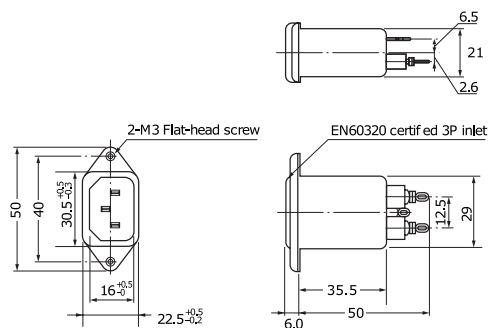


KEMET, GL-FV, EMI/RFI Filters, Noise Suppression, 250 VAC, 250 V, 6 A



Dimensions	
L	50mm NOM
W	50mm NOM
H	22.5mm NOM

Packaging Specifications	
Weight:	40 g

General Information	
Series:	GL-FV
Style:	Inlet
Description:	Noise Filters
Features:	Inlet Type
RoHS:	Yes
Qualifications:	UL, CSA, TUV, VDE
Miscellaneous:	30 K Self-Temperature Rise Max.

Specifications	
Voltage AC:	250 VAC
Ripple Current:	6 A (AC/DC)
Temperature Range:	-25/+55°C
Voltage:	250 VDC, 1500 VAC Withstanding Voltage 1 Min. Line to Ground
Leakage Current:	0.5 mA MAX (250 V 60 Hz)
Resistance:	300 MOhms MIN Insulation 500 VDC 1 Min. Line To Ground