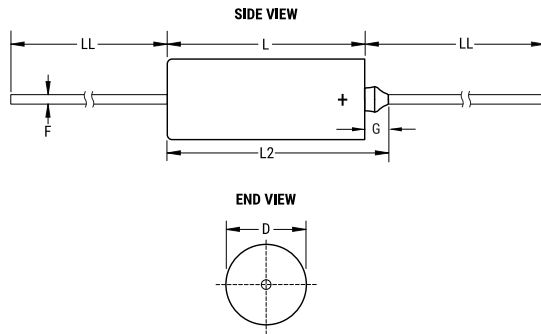


**KEMET Part Number: M39003/01-6223**  
(T212C106J050BS, CSR13G106JB)

T212\_CSR13, Tantalum, MnO2 Tantalum, Military/High Reliability, 10 uF, 5%, 50 VDC, 1.6 Ohms



| Dimensions |                   |
|------------|-------------------|
| D          | 7.34mm +/-0.25mm  |
| L          | 17.42mm +/-0.79mm |
| L2         | 20.88mm           |
| LL         | 38.1mm +/-6.35mm  |
| F          | 0.64mm +/-0.05mm  |
| G          | 3.46mm +0.79mm    |

| Packaging Specifications |            |
|--------------------------|------------|
| Packaging:               | Bulk, Tray |
| Packaging Quantity:      | 20         |

| General Information |                                                                                                                                                                                    |
|---------------------|------------------------------------------------------------------------------------------------------------------------------------------------------------------------------------|
| Supplier:           | KEMET                                                                                                                                                                              |
| Series:             | T212_CSR13                                                                                                                                                                         |
| Dielectric:         | MnO2 Tantalum                                                                                                                                                                      |
| Style:              | Axial Hermetic                                                                                                                                                                     |
| Description:        | Axial, Solid Tantalum, Hermetically Sealed, Military, CSR13 Style                                                                                                                  |
| Features:           | Low Leakage                                                                                                                                                                        |
| RoHS:               | No                                                                                                                                                                                 |
| Prop 65:            | <b>WARNING:</b> Cancer and reproductive harm - <a href="http://www.p65warnings.ca.gov">www.p65warnings.ca.gov</a>                                                                  |
| REACH:              | SVHC (Pb – CAS 7439-92-1)                                                                                                                                                          |
| Termination:        | Lead (SnPb)                                                                                                                                                                        |
| Lead:               | Wire Leads                                                                                                                                                                         |
| Qualifications:     | MIL-PRF-39003, CSR13 Style                                                                                                                                                         |
| Construction:       | Hermetic                                                                                                                                                                           |
| Notes:              | Dimensions Include Insulating Sleeve. Lead Length Shown Is For Parts Supplied With Bulk Packaging, When Supplied On T&R Or Ammo, Lead Length Is Determined By Taping Specification |

| Specifications           |                                                           |
|--------------------------|-----------------------------------------------------------|
| Capacitance:             | 10 uF                                                     |
| Capacitance Tolerance:   | 5%                                                        |
| Voltage DC:              | 50 VDC (85C), 40 VDC (125C Surge), 0.5 VDC (125C Reverse) |
| Temperature Range:       | -55/+125C                                                 |
| Failure Rate:            | B (0.1%/1000 Hrs)                                         |
| Resistance:              | 1.6 Ohms (100kHz)                                         |
| Ripple Current:          | 280 mAmps (100kHz)                                        |
| Leakage Current:         | 2.5 uA                                                    |
| Testing and Reliability: | Standard Testing To MIL-PRF-39003                         |