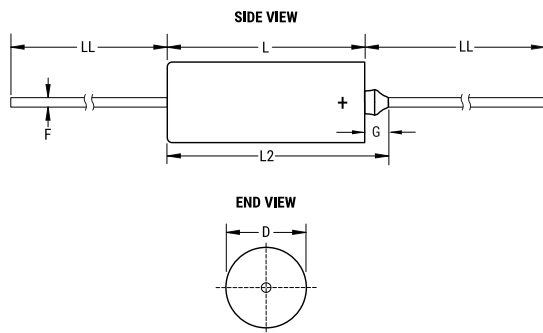


**KEMET Part Number: T242D337K015MS**  
(M39003/03-0144{KEM}, CSR23D337KM)

T242\_CSR23, Tantalum, MnO2 Tantalum, Military/High Reliability, 330 uF, 10%, 15 VDC, 400 mOhms



| Dimensions |                   |
|------------|-------------------|
| D          | 8.92mm +/-0.25mm  |
| L          | 19.96mm +/-0.79mm |
| L2         | 23.42mm           |
| LL         | 38.1mm +/-6.35mm  |
| F          | 0.64mm +/-0.05mm  |
| G          | 3.46mm +0.79mm    |

| Packaging Specifications |            |
|--------------------------|------------|
| Packaging:               | Bulk, Tray |
| Packaging Quantity:      | 20         |

| General Information |  |
|---------------------|--|
| Supplier:           | KEMET  |
| Series:             | T242_CSR23   |
| Dielectric:         | MnO2 Tantalum  |
| Style:              | Axial Hermetic   |
| Description:        | Axial, Solid Tantalum, Hermetically Sealed, Military, Polar, CSR23 Style   |
| Features:           | Extended Capacitance, Polar, Low Leakage   |
| RoHS:               | No   |
| Prop 65:            | <b>WARNING:</b> Cancer and reproductive harm - <a href="http://www.p65warnings.ca.gov">www.p65warnings.ca.gov</a>  |
| REACH:              | SVHC (Pb – CAS 7439-92-1)  |
| Termination:        | Lead (SnPb)  |
| Lead:               | Wire Leads   |
| Qualifications:     | MIL-PRF-39003, CSR23 Style   |
| Construction:       | Hermetic   |
| Notes:              | Dimensions Include Insulating Sleeve. Lead Length Shown Is For Parts Supplied With Bulk Packaging, When Supplied On T&R Or Ammo, Lead Length Is Determined By Taping Specification |

| Specifications           |  |
|--------------------------|--|
| Capacitance:             | 330 uF   |
| Capacitance Tolerance:   | 10%  |
| Voltage DC:              | 15 VDC (85C), 12 VDC (125C Surge), 0.15 VDC (125C Reverse) |
| Temperature Range:       | -55/+125C  |
| Failure Rate:            | M (1%/1000 Hrs)  |
| Resistance:              | 0.4 Ohms (100kHz)  |
| Ripple Current:          | 671 mAmps (100kHz)   |
| Leakage Current:         | 20 uA  |
| Testing and Reliability: | Standard Testing To MIL-PRF-39003                          |

Statements of suitability for certain applications are based on our knowledge of typical operating conditions for such applications, but are not intended to constitute - and we specifically disclaim - any warranty concerning suitability for a specific customer application or use. This Information is intended for use only by customers who have the requisite experience and capability to determine the correct products for their application. Any technical advice inferred from this Information or otherwise provided by us with reference to the use of our products is given gratis, and we assume no obligation or liability for the advice given or results obtained.