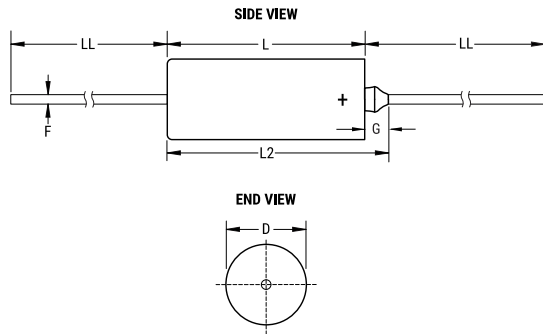


KEMET Part Number: T242C276K050RS
(M39003/03-0384{KEM}, CSR23G276KR)

T242_CSR23, Tantalum, MnO2 Tantalum, Military/High Reliability, 27 uF, 10%, 50 VDC, 1 Ohms



| Dimensions | |
|------------|-------------------|
| D | 7.34mm +/-0.25mm |
| L | 17.42mm +/-0.79mm |
| L2 | 20.88mm |
| LL | 38.1mm +/-6.35mm |
| F | 0.64mm +/-0.05mm |
| G | 3.46mm +0.79mm |

| Packaging Specifications | |
|--------------------------|------------|
| Packaging: | Bulk, Tray |
| Packaging Quantity: | 20 |

| General Information | |
|---------------------|--|
| Supplier: | KEMET |
| Series: | T242_CSR23 |
| Dielectric: | MnO2 Tantalum |
| Style: | Axial Hermetic |
| Description: | Axial, Solid Tantalum, Hermetically Sealed, Military, Polar, CSR23 Style |
| Features: | Extended Capacitance, Polar, Low Leakage |
| RoHS: | No |
| Prop 65: | WARNING: Cancer and reproductive harm - www.p65warnings.ca.gov |
| REACH: | SVHC (Pb – CAS 7439-92-1) |
| Termination: | Lead (SnPb) |
| Lead: | Wire Leads |
| Qualifications: | MIL-PRF-39003, CSR23 Style |
| Construction: | Hermetic |
| Notes: | Dimensions Include Insulating Sleeve. Lead Length Shown Is For Parts Supplied With Bulk Packaging, When Supplied On T&R Or Ammo, Lead Length Is Determined By Taping Specification |

| Specifications | |
|--------------------------|---|
| Capacitance: | 27 uF |
| Capacitance Tolerance: | 10% |
| Voltage DC: | 50 VDC (85C), 40 VDC (125C Surge), 0.5 VDC (125C Reverse) |
| Temperature Range: | -55/+125C |
| Failure Rate: | R (0.01%/1000 Hrs) |
| Resistance: | 1 Ohms (100kHz) |
| Ripple Current: | 354 mAmps (100kHz) |
| Leakage Current: | 8 uA |
| Testing and Reliability: | Standard Testing To MIL-PRF-39003 |