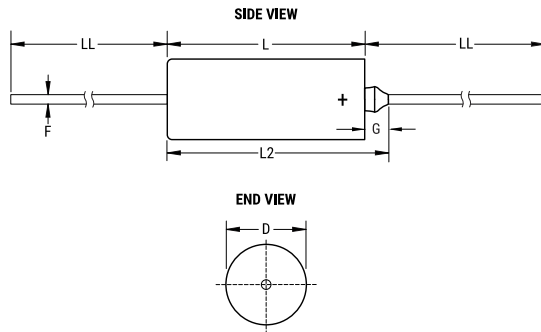



**KEMET Part Number: T242A395K020BS**  
(M39003/03-2049{KEM}, CSR23E395KB)

T242\_CSR23, Tantalum, MnO2 Tantalum, Military/High Reliability, 3.9 uF, 10%, 20 VDC, 5.5 Ohms



| Dimensions |                  |
|------------|------------------|
| D          | 3.43mm +/-0.25mm |
| L          | 7.26mm +/-0.79mm |
| L2         | 10.72mm          |
| LL         | 38.1mm +/-6.35mm |
| F          | 0.51mm +/-0.05mm |
| G          | 3.46mm +0.79mm   |

| Packaging Specifications |           |
|--------------------------|-----------|
| Packaging:               | Bulk, Box |
| Packaging Quantity:      | 150       |

| General Information |   |
|---------------------|---|
| Supplier:           | KEMET   |
| Series:             | T242_CSR23  |
| Dielectric:         | MnO2 Tantalum   |
| Style:              | Axial Hermetic  |
| Description:        | Axial, Solid Tantalum, Hermetically Sealed, Military, Polar, CSR23 Style  |
| Features:           | Extended Capacitance, Polar, Low Leakage  |
| RoHS:               | No  |
| Prop 65:            |  <b>WARNING:</b> Cancer and reproductive harm - <a href="http://www.p65warnings.ca.gov">www.p65warnings.ca.gov</a> |
| REACH:              | SVHC (Pb – CAS 7439-92-1)   |
| Termination:        | Lead (SnPb)   |
| Lead:               | Wire Leads  |
| Qualifications:     | MIL-PRF-39003, CSR23 Style  |
| Construction:       | Hermetic  |
| Notes:              | Dimensions Include Insulating Sleeve. Lead Length Shown Is For Parts Supplied With Bulk Packaging, When Supplied On T&R Or Ammo, Lead Length Is Determined By Taping Specification                    |

| Specifications           |   |
|--------------------------|---|
| Capacitance:             | 3.9 uF  |
| Capacitance Tolerance:   | 10%   |
| Voltage DC:              | 20 VDC (85C), 16 VDC (125C Surge), 0.2 VDC (125C Reverse) |
| Temperature Range:       | -55/+125C   |
| Failure Rate:            | B (0.1%/1000 Hrs)   |
| Resistance:              | 5.5 Ohms (100kHz)   |
| Ripple Current:          | 128 mAmps (100kHz)  |
| Leakage Current:         | 1.2 uA  |
| Testing and Reliability: | Standard Testing To MIL-PRF-39003                         |