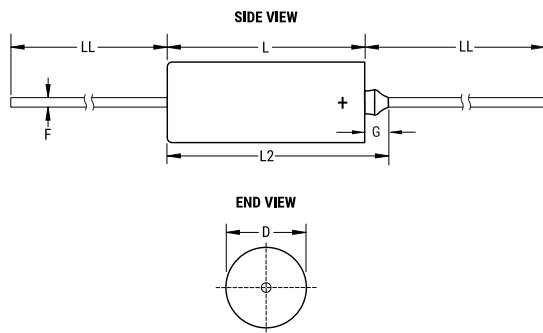


KEMET Part Number: T262D226M050BS
(M39003/09-2085{KEM}, CSR21G226MB)

T262_CSR21, Tantalum, MnO2 Tantalum, Military/High Reliability, 22 uF, 20%, 50 VDC, 160 mOhms



Dimensions	
D	8.92mm +/-0.25mm
L	19.96mm +/-0.79mm
L2	23.42mm
LL	38.1mm +/-6.35mm
F	0.64mm +/-0.05mm
G	3.46mm +0.79mm

Packaging Specifications	
Packaging:	Bulk, Tray
Packaging Quantity:	20

General Information	
Supplier:	KEMET
Series:	T262_CSR21
Dielectric:	MnO2 Tantalum
Style:	Axial Hermetic
Description:	Axial, Solid Tantalum, Hermetically Sealed, Military, CSR21 Style
Features:	Low ESR, High Current
RoHS:	No
Prop 65:	WARNING: Cancer and reproductive harm - www.p65warnings.ca.gov .
REACH:	SVHC (Pb – CAS 7439-92-1)
Termination:	Lead (SnPb)
Lead:	Wire Leads
Qualifications:	MIL-PRF-39003, CSR21
Construction:	Hermetic
Miscellaneous:	Ripple Current Rating Shown Is At 40Khz And 25C; ESR Is Per MIL-PRF-39003/9.
Notes:	Dimensions Include Insulating Sleeve. Lead Length Shown Is For Parts Supplied With Bulk Packaging, When Supplied On T&R Or Ammo, Lead Length Is Determined By Taping Specification

Specifications	
Capacitance:	22 uF
Capacitance Tolerance:	20%
Voltage DC:	50 VDC (85C), 40 VDC (125C Surge), 0.5 VDC (125C Reverse)
Temperature Range:	-55/+125C
Failure Rate:	B (0.1%/1000 Hrs)
Resistance:	0.16 Ohms (100kHz)
Ripple Current:	2300 mAmps (100kHz)
Leakage Current:	5.5 uA
Testing and Reliability:	Standard Testing To MIL-PRF-39003