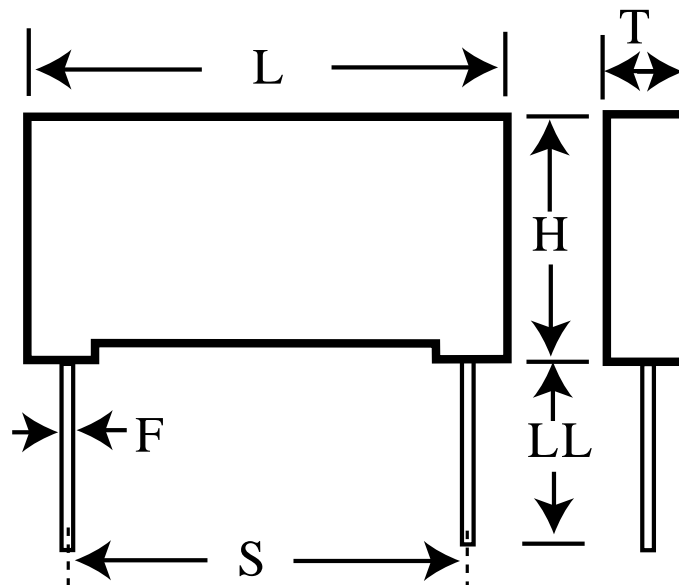


MMK22.5474K400D13L4TRAY

aka F601DD474K400C MMK22,5474K400D13L4TRAY

Capacitor, film, 0.47 uF, +/-10% Tol, -55/+100C, General Purpose, 400V@85C, Lead Spacing=22.5 mm



Dimensions (mm)

Specifications

ID	Dimension	Tolerance	Manufacturer:	KEMET
L	26	max	Brand:	Evox
H	14.5	max	Capacitance:	0.47 uF
T	6.5	max	Temperature Range:	-55/+100C
S	22.5	+/-0.4	Rated Temperature:	85C
LL	5	nom	Voltage @ rated temp:	400V
F	0.8	nom	Voltage AC:	200VAC
			Tolerance:	+/-10%
			Body Type:	Radial Box
			Construction:	Wound
			Application:	General Purpose
			Dissipation Factor @ 1 kHz:	0.8%
			Dissipation Factor @ 10 kHz:	1.5%
			Insulation Resistance:	21.28 GOhm
			Inductance:	6 nH
			Maximum dVdT:	10v/us
			Miscellaneous Electrical:	CECC 30401-042, IEC 60384-2, DIN 44122 series(MMK)
			Package Kind:	Bulk
			Package Type:	Tray
			Package Quantity:	234