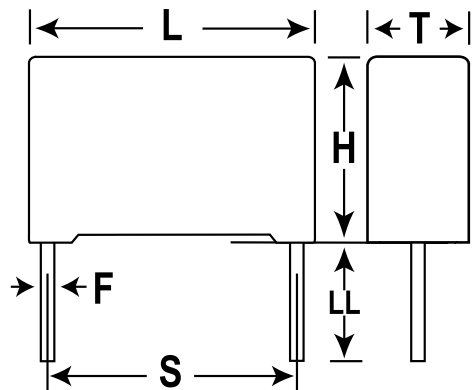


**KEMET Part Number: PHE850EA4100MA06R17**  
(F850AE102M300A)

Capacitor, Film, Metallized Polypropylene, 1000 pF, +/-20% Tol, -55/+110C, Safety: Y2, 300 VAC, Lead Spacing=10 mm, Not For New Design, Please Check Possible Alternative Parts (AltPart)



Dimensions (mm)		
Symbol	Dimension	Tolerance
L	13	MAX
H	8	MAX
T	4	MAX
S	10	+/-0.4
LL	17	NOM
F	0.6	NOM

Packaging Specifications	
Package Kind:	Bulk
Package Quantity:	1000

General Information	
Supplier:	KEMET
Dielectric:	Metallized Polypropylene
Application:	Safety: Y2
Style:	Radial Box
Lead Form:	Wire Leads
Features:	Pulse
Approvals:	ENEC,UL,cUL
RoHS:	Yes

Specifications	
Capacitance:	1000 pF
Voltage:	1250 VDC
Tolerance:	+/-20%
Voltage AC:	300 VAC
Rated Temperature:	110C
Temperature Range:	-55/+110C
Dissipation Factor @ 1 kHz:	0.15%
Dissipation Factor @ 10 kHz:	0.2%
Dissipation Factor @ 100kHz:	0.6%
Insulation Resistance:	30 GOhm
Maximum dVdT:	100 v/us
Miscellaneous:	Not For New Design, Please Check Possible Alternative Parts (AltPart)