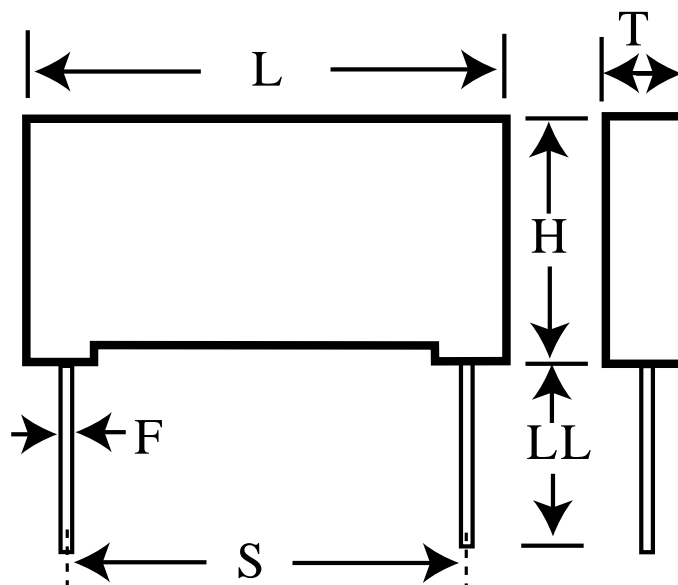


R76PF1470SE00J

aka 76PF1470SE00J

Capacitor, film, 4700 pF, +/-5% Tol, -55/+105C, General Purpose, 630V@85C, Lead Spacing=10 mm



Dimensions (mm)

Specifications

ID	Dimension	Tolerance	Manufacturer:	KEMET
L	13	+0.2	Brand:	Arcotronics
H	9	+0.1	Capacitance:	4700 pF
T	4	+0.2	Temperature Range:	-55/+105C
S	10	+/-0.4	Rated Temperature:	85C
LL	4	+2	Voltage @ rated temp:	630V
F	0.6	+/-0.05	Voltage AC:	400VAC
			Tolerance:	+/-5%
			Body Type:	Radial Box
			Construction:	Double Metallized
			Application:	General Purpose
			Sub Application:	Pulse
			Dissipation Factor @ 1 kHz:	0.03%
			Dissipation Factor @ 10 kHz:	0.04%
			Dissipation Factor @ 100kHz:	0.15%
			Insulation Resistance:	100 GOhm
			Inductance:	9 nH
			Maximum dVdT:	3000v/us
			Maximum K0:	3780000V^2/us
			Package Kind:	Bulk
			Package Type:	Bag
			Package Quantity:	2000