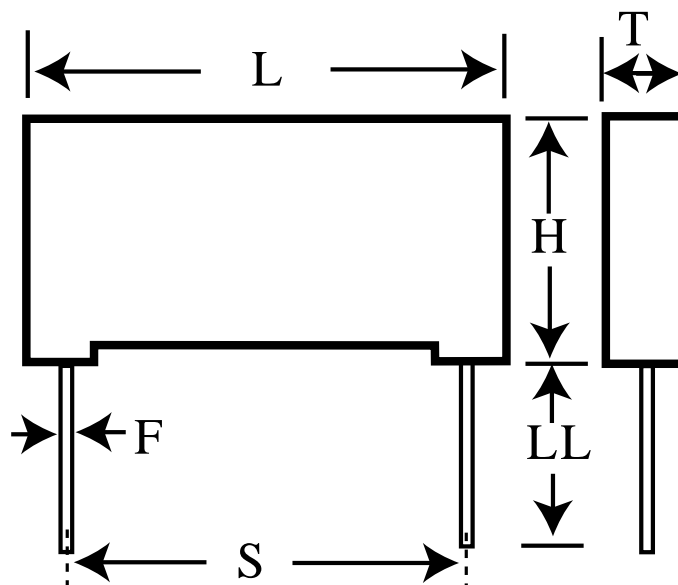


# R82DC3100CK50K

aka 82DC3100CK50K

Capacitor, film, 0.1 uF, +/-10% Tol, -55/+105C, General Purpose, 63V@85C, Lead Spacing=5 mm



## Dimensions (mm)

## Specifications

ID	Dimension	Tolerance	Manufacturer:	KEMET
L	7.2	+0.2	Brand:	Arcotronics
H	6.5	+0.1	Capacitance:	0.1 uF
T	2.5	+0.1	Temperature Range:	-55/+105C
S	5	+/-0.4	Rated Temperature:	85C
LL	18.5	+/-0.5	Voltage @ rated temp:	63V
F	0.5	+/-0.05	Voltage AC:	40VAC
			Tolerance:	+/-10%
			Body Type:	Radial Box
			Construction:	Stacked
			Application:	General Purpose
			Dissipation Factor @ 1 kHz:	0.8%
			Dissipation Factor @ 10 kHz:	1.2%
			Insulation Resistance:	15 GOhm
			Inductance:	7 nH
			Maximum dVdT:	160v/us
			Maximum K0:	20000V^2/us
			Package Kind:	T&R
			Package Size:	355mm
			Package Quantity:	2500