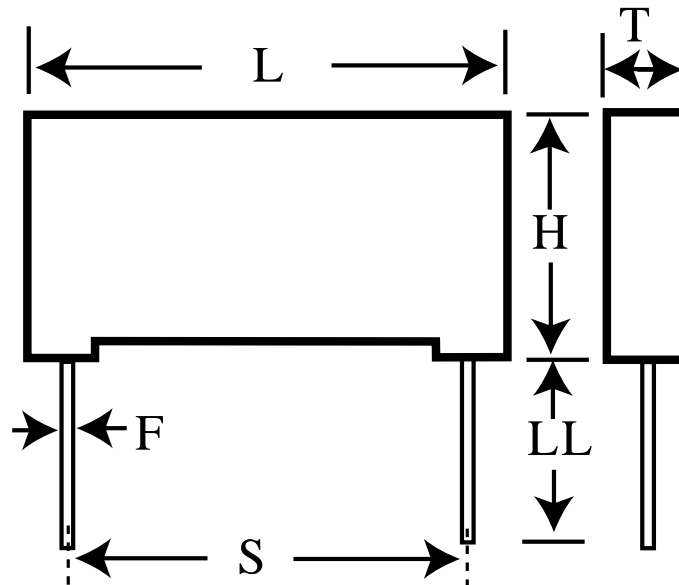


R82IC3100DQ55K

aka 82IC3100DQ55K

Capacitor, film, 0.1 uF, +/-10% Tol, -55/+105C, General Purpose, 250V@85C, Lead Spacing=5 mm



Dimensions (mm)

ID	Dimension	Tolerance
L	7.2	+0.3
H	10	+0.1
T	5	+0.1
S	5	+/-0.4
LL	18.5	+/-0.5
F	0.5	+/-0.05

Specifications

Manufacturer:	KEMET
Brand:	Arcotronics
Capacitance:	0.1 uF
Temperature Range:	-55/+105C
Rated Temperature:	85C
Voltage @ rated temp:	250V
Voltage AC:	160VAC
Tolerance:	+/-10%
Body Type:	Radial Box
Construction:	Stacked
Application:	General Purpose
Dissipation Factor @ 1 kHz:	0.8%
Dissipation Factor @ 10 kHz:	1.2%
Insulation Resistance:	30 GOhm
Inductance:	7 nH
Maximum dVdT:	250v/us
Maximum K0:	125000V^2/us
Package Kind:	Ammo
Package Type:	Box
Package Quantity:	1700