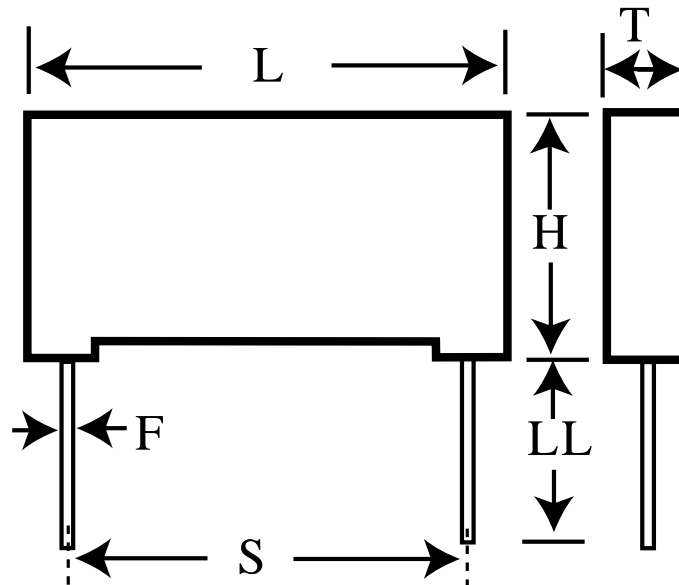


R82MC2220DQ50K

aka 82MC2220DQ50K

Capacitor, film, 0.022 uF, +/-10% Tol, -55/+105C, General Purpose, 400V@85C, Lead Spacing=5 mm



Dimensions (mm)

Specifications

ID	Dimension	Tolerance	Manufacturer:	KEMET
L	7.2	+0.3	Brand:	Arcotronics
H	9.5	+0.1	Capacitance:	0.022 uF
T	4.5	+0.1	Temperature Range:	-55/+105C
S	5	+/-0.4	Rated Temperature:	85C
LL	18.5	+/-0.5	Voltage @ rated temp:	400V
F	0.5	+/-0.05	Voltage AC:	200VAC
			Tolerance:	+/-10%
			Body Type:	Radial Box
			Construction:	Stacked
			Application:	General Purpose
			Dissipation Factor @ 1 kHz:	0.8%
			Dissipation Factor @ 10 kHz:	1.2%
			Dissipation Factor @ 100kHz:	2.5%
			Insulation Resistance:	30 GOhm
			Inductance:	7 nH
			Maximum dVdT:	400v/us
			Maximum K0:	320000V^2/us
			Package Kind:	Ammo
			Package Type:	Box
			Package Quantity:	1900