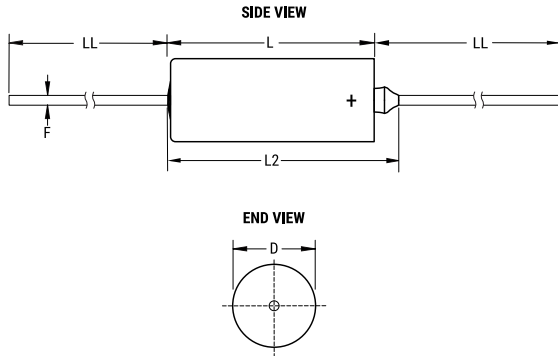


KEMET Part Number: T110C106M050AS
(CS13BG106M)

T110, Tantalum, MnO2 Tantalum, Commercial Grade, 10 uF, 20%, 50 VDC, 1.6 Ohms



| Dimensions | |
|------------|-------------------|
| D | 7.34mm +/-0.25mm |
| L | 17.42mm +/-0.79mm |
| L2 | 20.88mm |
| LL | 38.1mm +/-6.35mm |
| F | 0.64mm +/-0.05mm |

| Packaging Specifications | |
|--------------------------|------------|
| Packaging: | Bulk, Tray |
| Packaging Quantity: | 20 |

| General Information | |
|---------------------|---|
| Supplier: | KEMET |
| Series: | T110 |
| Dielectric: | MnO2 Tantalum |
| Style: | Axial Hermetic |
| Description: | Axial, Solid Tantalum, Hermetically Sealed, Military (Non-ER), Polar |
| Features: | Polar |
| RoHS: | No |
| Prop 65: | WARNING: Cancer and reproductive harm - www.p65warnings.ca.gov |
| REACH: | SVHC (Pb – CAS 7439-92-1) |
| Termination: | Lead (SnPb) |
| Lead: | Wire Leads |
| Construction: | Hermetic |
| Notes: | Dimensions Include Insulation Sleeve. When Supplied On T&R Or Ammo, Lead Length Is Determined By Taping Specification |

| Specifications | |
|------------------------|---|
| Capacitance: | 10 uF |
| Capacitance Tolerance: | 20% |
| Voltage DC: | 50 VDC (85C), 40 VDC (125C Surge), 0.5 VDC (125C Reverse) |
| Temperature Range: | -55/+125C |
| Rated Temperature: | 85C |
| Resistance: | 1.6 Ohms (100kHz) |
| Leakage Current: | 2.5 uA (25C) |