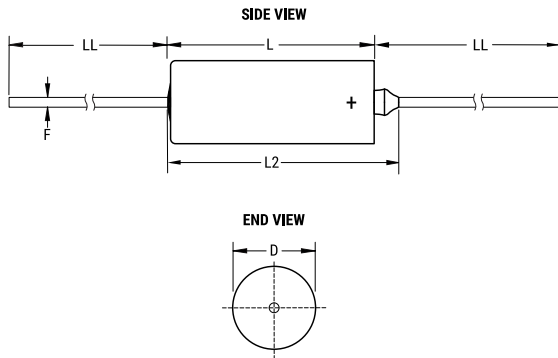


KEMET Part Number: T110D157K015AS
(CS13BD157K)

T110, Tantalum, MnO2 Tantalum, Commercial Grade, 150 uF, 10%, 15 VDC, 600 mOhms



| Dimensions | |
|------------|-------------------|
| D | 8.92mm +/-0.25mm |
| L | 19.96mm +/-0.79mm |
| L2 | 23.42mm |
| LL | 38.1mm +/-6.35mm |
| F | 0.64mm +/-0.05mm |

| Packaging Specifications | |
|--------------------------|------------|
| Packaging: | Bulk, Tray |
| Packaging Quantity: | 20 |

| General Information | |
|---------------------|---|
| Supplier: | KEMET |
| Series: | T110 |
| Dielectric: | MnO2 Tantalum |
| Style: | Axial Hermetic |
| Description: | Axial, Solid Tantalum, Hermetically Sealed, Military (Non-ER), Polar |
| Features: | Polar |
| RoHS: | No |
| Prop 65: | ⚠ WARNING: Cancer and reproductive harm - www.p65warnings.ca.gov . |
| REACH: | SVHC (Pb – CAS 7439-92-1) |
| Termination: | Lead (SnPb) |
| Lead: | Wire Leads |
| Construction: | Hermetic |
| Notes: | Dimensions Include Insulation Sleeve. When Supplied On T&R Or Ammo, Lead Length Is Determined By Taping Specification |

| Specifications | |
|------------------------|--|
| Capacitance: | 150 uF |
| Capacitance Tolerance: | 10% |
| Voltage DC: | 15 VDC (85C), 12 VDC (125C Surge), 0.15 VDC (125C Reverse) |
| Temperature Range: | -55/+125C |
| Rated Temperature: | 85C |
| Resistance: | 0.6 Ohms (100kHz) |
| Leakage Current: | 8 uA (25C) |