

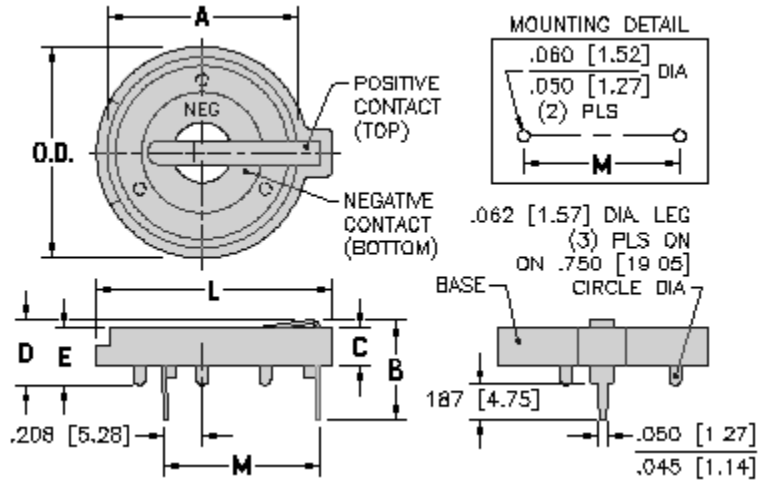
Distributed by:



www.Jameco.com ♦ 1-800-831-4242

The content and copyrights of the attached material are the property of its owner.

Jameco Part Number 236996



CAT. NO.	CELLS	DIMS.	A	B	C	D	E	L	O.D.	M
103	One	inch	.796	.513	.195	.335	.295	1.130	.896	.807
		mm	20,22	13,03	4,95	8,51	7,49	28,70	22,75	20,50

Positive & Negative Contacts: .020" (0,5mm) Spring Steel, Nickel over Copper Plate	
Base Material: PBT UL 94V-0, Black	Temp. Range: -60°F to +293°F (-50°C to +145°C)

BATTERY CROSS REFERENCE
Duracell, Eveready, Panasonic, Sony, Toshiba, Varta, Ray-O-Vac, Sanyo, Seiko
BR2016, CR2016, DL2016, BR2020, CL2020, BR2025 CR2025, DL2025, BR2032, CR2032, DL2032