

COIN CELL BATTERY HOLDERS

Designers' Choice

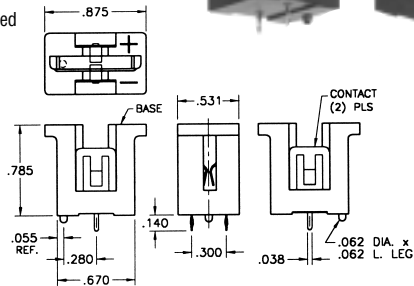


VERTICAL 20mm COIN CELL HOLDERS

COMPACT

This space saving vertical design features a rugged, lightweight body that mounts squarely and securely on PC boards for easy installation and replacement of batteries. Reliable spring tension assures low contact resistance.

- Accepts all major manufacturers' 20mm diameter batteries
- Molded notch prevents improper insertion of 2032 size cells
- Space saving design for high density packaging
- Retains cells securely, withstands shock and vibration
- Polarity clearly marked
- Mounts securely for wave soldering
- Temp range -60°F to +293°F (50°C to +145°C)



MATERIAL

Contacts: .012 Spring Steel, Tin over Nickel Plate

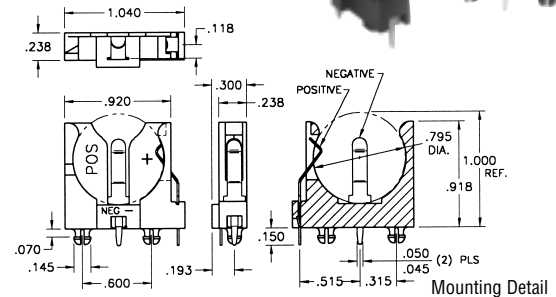
Base: PBT, UL Rated 94V-0

CAT. NO. 1067

SLIMLINE

A "unique" space saving design. The battery is installed vertically from the top. The contacts of this holder are polarized to assure proper continuity and circuit protection.

- Polarized holder
- Mounts securely for wave soldering
- Reliable spring tension assures low contact resistance
- Retains 20mm batteries securely to withstand shock and vibration
- Temp range -60°F to +293°F (50°C to +145°C)



MATERIAL

Contacts: .016 Spring Steel, Tin over Nickel Plate

Base: PBT, UL Rated 94V-0

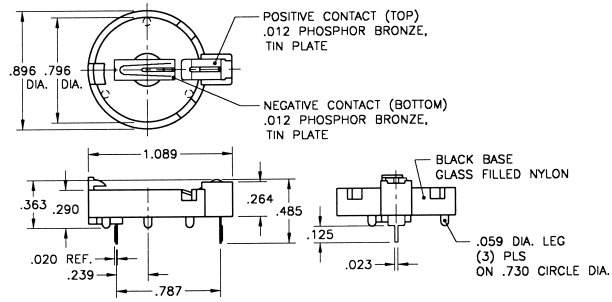
CAT. NO. 1065

COMPACT 20mm COIN CELL HOLDER



- Suitable for 2025 and 2032 cells
- "Pop-in" design using minimum space
- Finger pressure lever disengages battery
- Reliable spring tension assures low contact resistance
- Retains batteries securely to withstand shock and vibration
- Temp range -60°F to +293°F (50°C to +145°C)

The "Ultimate" in space saving design. This 20mm coin cell holder allows "pop-in" entry of batteries using the minimum amount of space. Finger pressure lever allows batteries to disengage from holder.



MATERIAL

Contacts: .012 Phosphor Bronze, Tin Plate

Base: Glass Filled Nylon, UL Rated 94V-0

CAT. NO. 1066

SURFACE MOUNT COIN CELL HOLDERS



Available on Tape and Reel

SMT Design - Holders for 20mm and 23mm Lithium Coin Cell Batteries

- Temp. range -60°F to +540°F (-50°C to +282°C)
- Ideal for memory back-up applications
- Polarity clearly marked (+)
- UL approved material, 94V-0
- Rugged construction, light weight
- Compatible with vacuum and mechanical pick & place assembly systems
- Low profile for high density packaging
- SMT solder tail with "Flow-Hole" design for increased joint strength
- Viewable solder tails assures reliable joint inspection
- Safe for all soldering & reflow operations
- All conductive polystyrene carrier tape meets ANSI/EIA - 481 standard

SMALL PAD PATTERN

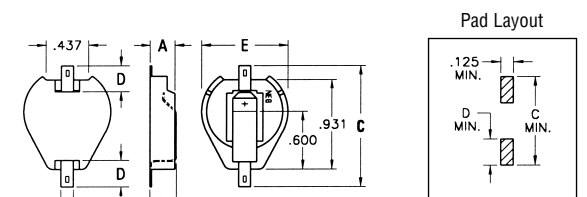
CAT. NO.	ON TAPE	CELLS	A	B	C	D	E	CELL	BATTERY
1061	1061TR	1	.256	.290	1.015	.156	.896	20mm	2016*, 2020, 2025, 2032
1062	1062TR	2	.375	.406	1.015	.156	.896	23mm	2320, 2325, 2330
1071	1071TR	1	.256	.290	1.015	.156	1.000		

*Cat. No. 1061 (1 or 2 cells); Cat. No. 1062 (3 cells)

LARGE PAD PATTERN

CAT. NO.	ON TAPE	CELLS	A	B	C	D	E	CELL	BATTERY
1063	1063TR	1	.256	.290	1.250	.278	.896	20mm	2016*, 2020, 2025, 2032
1064	1064TR	2	.375	.406	1.250	.278	.896	23mm	2320, 2325, 2330
1073	1073TR	1	.256	.290	1.250	.278	1.00		

*Cat. No. 1063 (1 or 2 cells); Cat. No. 1064 (3 cells)



MATERIAL: Contacts: .015 Steel, Tin Plate Base: Nylon, Stanyl-46

Tape & Reel Spec's: 44mm wide; 32mm pitch; 13 inch reel (200 pieces per reel)