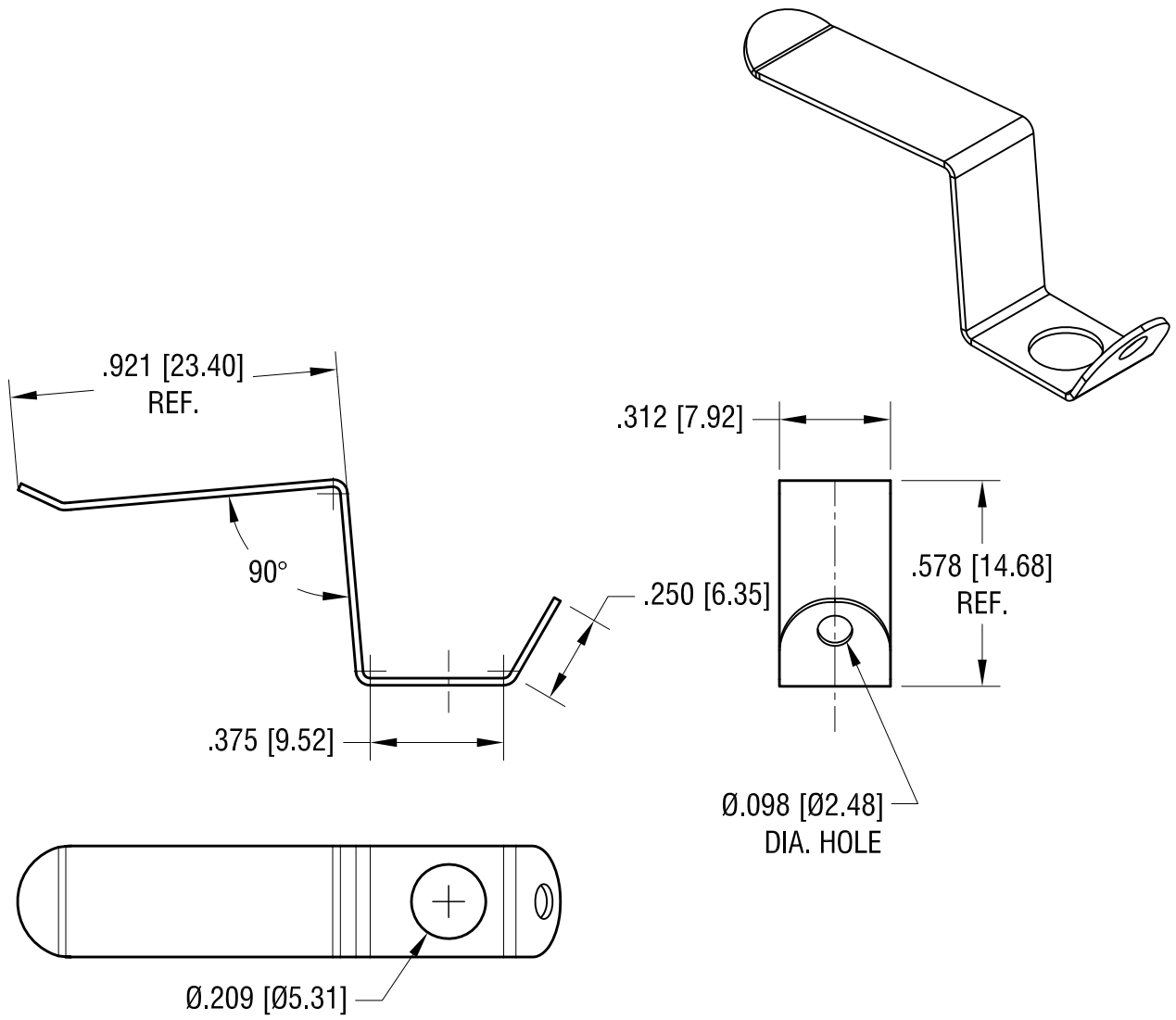


THIS DOCUMENT IS THE PROPERTY OF
KEYSTONE ELECTRONICS CORP. AND
SHALL NOT BE REPRODUCED, DISTRIBUTED
OR USED AS A BASIS FOR MANUFACTURE
WITHOUT PRIOR WRITTEN PERMISSION
FROM KEYSTONE ELECTRONICS CORP.



| | | |
|----------|--------------------------|------|
| 10.21.10 | CHANGE AS PER ECN 10-073 | A |
| DATE | DESCRIPTION | REV. |

| | | | |
|---|-----------------|----------------------------------|------------|
| KEYSTONE ELECTRONICS CORP. | | | |
| www.keyelco.com • ASTORIA, N.Y. 11105-2017 • Tel (718) 956-8900 | | | |
| PART NAME | | TOP SPRING | |
| MATERIAL | | .020 [0.50] TH'K PHOSPHOR BRONZE | |
| FINISH | | DRN BY | DATE |
| NICKEL PLATE | | NT | 9.15.10 |
| | | APP'D | SCALE |
| | | LN | 2X |
| TOLERANCES | INCH [MM] | CODE | DWG NO. |
| DECIMAL | ± .010 [± 0.25] | C | 116 |
| ANGULAR | ± 1° | | |
| UNLESS OTHERWISE SPECIFIED | | | |