

# SCREW TERMINALS

Designers' Choice

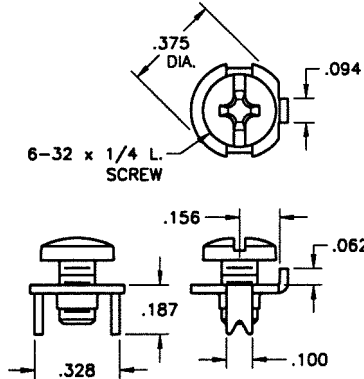


## 6-32 INSERT TERMINAL

These sturdy, easy to mount space saving 6-32 insert terminals are available with screws installed and captivated. They are also available with screw unassembled or without a screw.

### PRINCIPLE FEATURES

- Easy to connect using solid or stranded wire, crimp lugs or terminals
- Anti-rotation tab for use with spade terminals
- Supplied with screw installed and captivated, with screw unassembled, or without screw



### SPECIFICATIONS

Rated: 15 Amps

Terminal: .032 Brass, Tin Plate

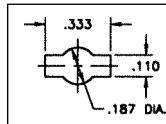
Screw: Combination drive, Stainless Steel

CAT. NO. 1201 (Screw Installed & Captivated)

CAT. NO. 1298 (Screw Supplied Unassembled)

CAT. NO. 1284 (Supplied Less Screw)

Mounting Detail

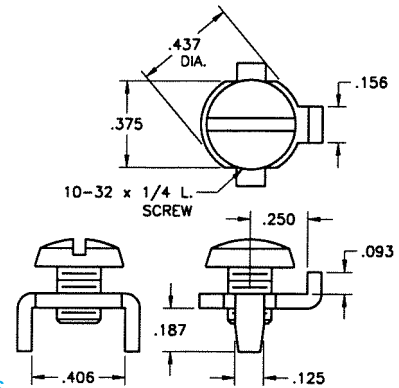


## 10-32 INSERT TERMINAL

These sturdy, low cost 10-32 PC mount terminals, feature an anti-rotation tab for use with spade terminals. They are available with the screw installed and captivated, the screw unassembled or without a screw.

### PRINCIPLE FEATURES

- Easy to connect using solid or stranded wire, crimp lugs or terminals
- Anti-rotation tab for use with spade terminals
- Supplied with screw installed and captivated, with screw unassembled, or without screw



### SPECIFICATIONS

Rated: 30 Amps

Terminal: .062 Brass, Tin Plate

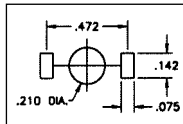
Screw: Stainless Steel

CAT. NO. 1202 (Screw Installed & Captivated)

CAT. NO. 1299 (Screw Supplied Unassembled)

CAT. NO. 1293 (Supplied Less Screw)

Mounting Detail

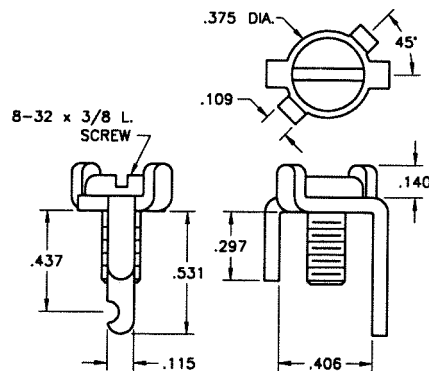


## 8-32 HEAVY DUTY TERMINAL

These 8-32 heavy duty terminals easily mount on PC boards and feature a notched leg that facilitates good mechanical and solder connections below the circuit board.

### PRINCIPLE FEATURES

- Anti-rotation tab for use with spade terminals
- Below the board notched leg, to facilitate mechanical and solder connections
- Easy to connect using solid or stranded wire, crimp lugs or terminals
- Available with screw installed or unassembled



### SPECIFICATIONS

Rated: 15 Amps

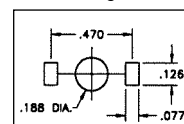
Terminal: .064 Brass, Tin Plate

Screw: Brass, Tin Plate

CAT. NO. 1209 (Screw Installed)

CAT. NO. 1207 (Screw Supplied Unassembled)

Mounting Detail

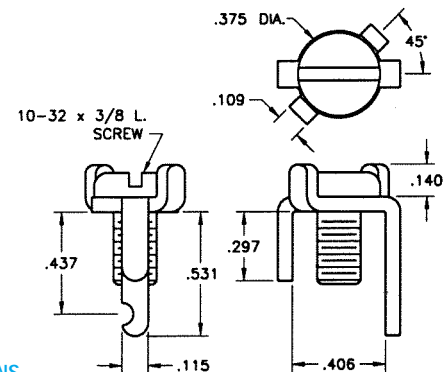


## 10-32 HEAVY DUTY TERMINAL

These heavy duty 10-32 terminals are available with the screw installed or unassembled, and feature easy access to connect solid or stranded wire, crimp type lugs or terminals.

### PRINCIPLE FEATURES

- Anti-rotation tab for use with spade terminals
- Below the board notched leg, to facilitate mechanical and solder connections
- Easy to connect using solid or stranded wire, crimp lugs or terminals
- Available with screw installed or unassembled



### SPECIFICATIONS

Rated: 30 Amps

Terminal: .064 Brass, Tin Plate

Screw: Steel, Nickel Plate

CAT. NO. 1283 (Screw Installed)

CAT. NO. 1208 (Screw Supplied Unassembled)

Mounting Detail

