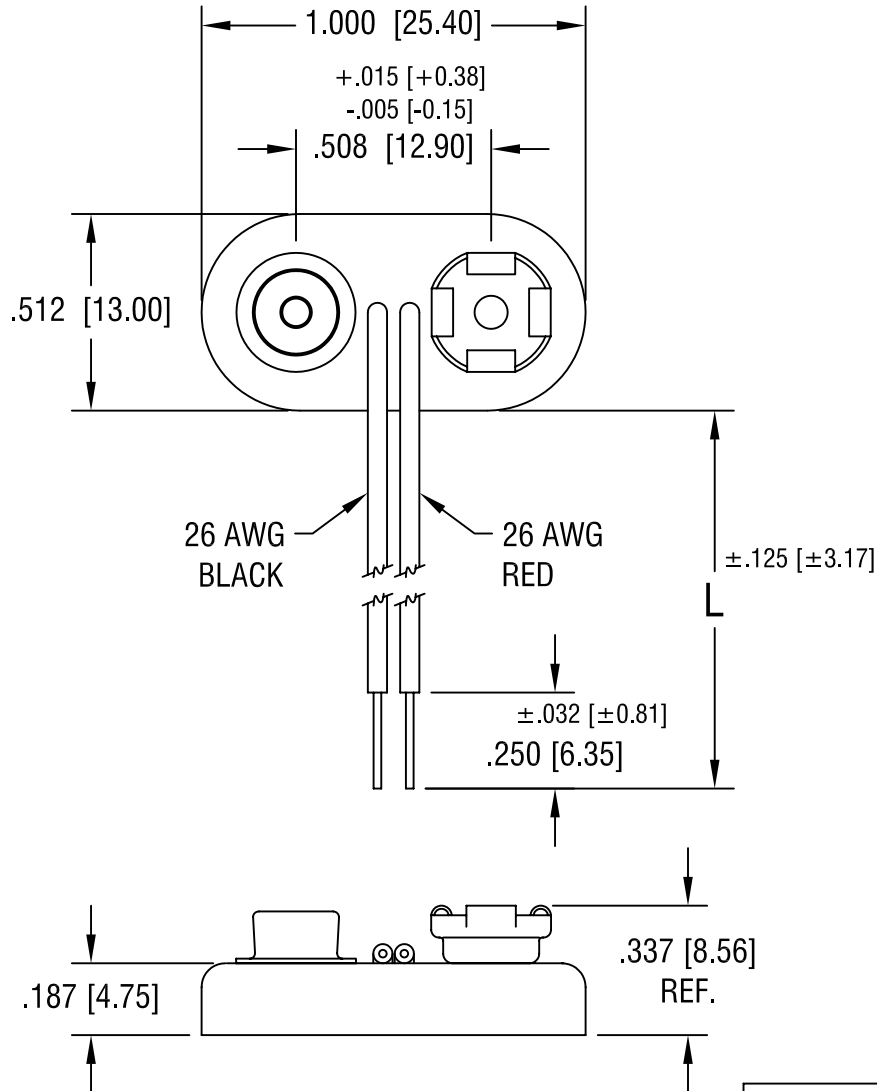


THIS DOCUMENT IS THE PROPERTY OF
KEYSTONE ELECTRONICS CORP. AND
SHALL NOT BE REPRODUCED, DISTRIBUTED
OR USED AS A BASIS FOR MANUFACTURE
WITHOUT PRIOR WRITTEN PERMISSION
FROM KEYSTONE ELECTRONICS CORP.



PART NO.	'L' DIM.
2241	4.000 [101.60]
2242	6.000 [152.40]
2243	8.000 [203.20]

NOTE:

- MAT'L - WIRE: 26 AWG, 1007 UL/CSA APPROVED
CONTACTS: PHOSPHOR BRONZE, NICKEL PLATE
BODY: MOLDED POLYETHYLENE
RED WIRE CONNECTED TO FEMALE CONTACT;
BLACK WIRE CONNECTED TO MALE CONTACT.

DATE	DESCRIPTION	REV.
6.1.05	CHANGE AS PER ECN 05-029	B
3.10.05	CHANGE AS PER ECN 05-017	A

KEYSTONE ELECTRONICS CORP.			
ASTORIA, N.Y. 11105-2017			
PART NAME PREMIUM '9' VOLT 'T' STYLE BATTERY STRAP			
MATERIAL AS NOTED			
FINISH AS NOTED		DRN BY BOONE	DATE 8.8.95
		APP'D	SCALE 2X
TOLERANCES INCH [MM]	DECIMAL ±.020 [±0.50]	CODE C/M	DWG NO. 2241-2243
ANGULAR ± 1°			
UNLESS OTHERWISE SPECIFIED			