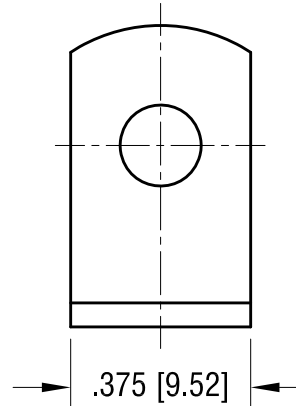
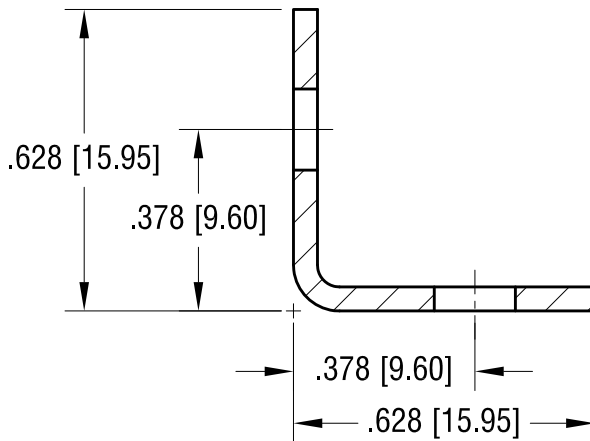
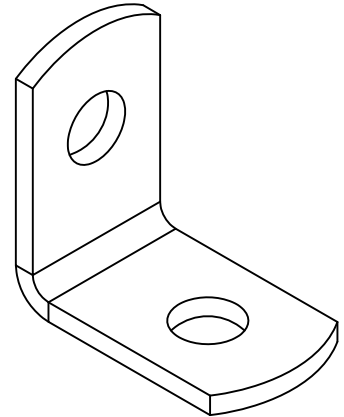
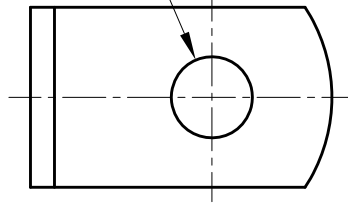


THIS DOCUMENT IS THE PROPERTY OF  
KEYSTONE ELECTRONICS CORP. AND  
SHALL NOT BE REPRODUCED, DISTRIBUTED  
OR USED AS A BASIS FOR MANUFACTURE  
WITHOUT PRIOR WRITTEN PERMISSION  
FROM KEYSTONE ELECTRONICS CORP.

$\pm .005$  [ $\pm 0.13$ ]  
 $\emptyset .169$  [ $\emptyset 4.29$ ] DIA. HOLE  
(2) PLS



9.22.09	CHANGE AS PER ECN 09-133	B
8.20.98	CHANGE AS PER ECR 98-044	A
DATE	DESCRIPTION	REV.

<b>KEYSTONE ELECTRONICS CORP.</b>			
www.keyelco.com • ASTORIA, N.Y. 11105-2017 • Tel (718) 956-8900			
PART NAME		BRACKET	
MATERIAL		.050 [1.27] TH'K BRASS	
FINISH		DRN BY	DATE
MATTE TIN PLATE		BOONE	3.2.82
		APP'D	SCALE
			2.5X
TOLERANCES	INCH [MM]	CODE	DWG NO.
DECIMAL	$\pm .010$ [ $\pm 0.25$ ]	C	<b>618</b>
ANGULAR	$\pm 1^\circ$		
UNLESS OTHERWISE SPECIFIED			

# X-ON Electronics

Authorized Distributor

*Click to view similar products for [Mounting Hardware](#) category:*

[895-39228](#) [1201280](#) [1201358](#) [R501-000-021](#) [1277](#) [155-012](#) [15504](#) [1597Y](#) [2701761](#) [301-9004-01](#)