
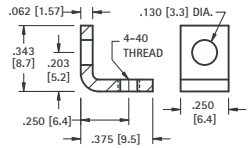




# THREADED MOUNTING BRACKETS


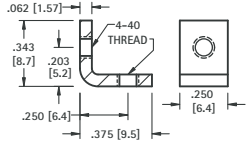
# THREADED MOUNTING BRACKETS

**4-40 THREAD**


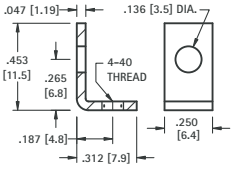
**CAT. NO. 612**      **MATERIAL:**  
.062 (1.57) Steel, Zinc Plate

**4-40 THREAD**


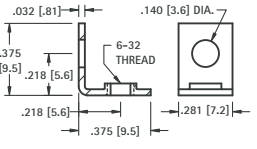
**CAT. NO. 621**      **MATERIAL:**  
.062 (1.57) Steel, Zinc Plate

**4-40 THREAD**


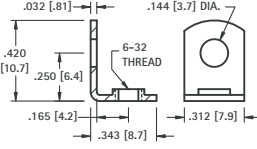
**CAT. NO. 616**      **MATERIAL:**  
.047 (1.19) Brass, Tin Plate

**6-32 THREAD**

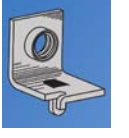
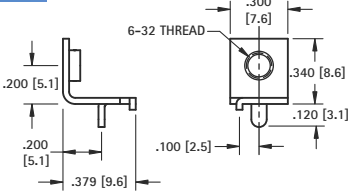
**CAT. NO. 634**      **MATERIAL:**  
.032 (.81) Brass, Nickel Plate

**6-32 THREAD**


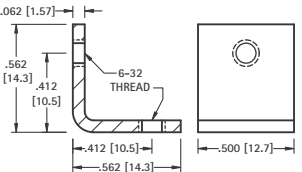
**CAT. NO. 614**      **MATERIAL:**  
.032 (.81) Brass, Tin Plate

**6-32 THREAD**


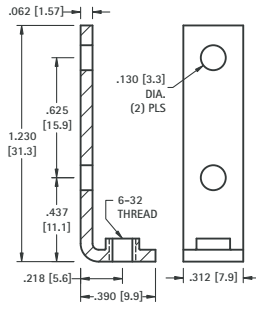
**CAT. NO. 632**      **MATERIAL:**  
.032 (.81) Brass, Tin Plate

**6-32 THREAD**


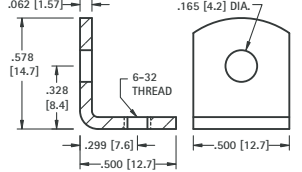
**CAT. NO. 4334**      **MATERIAL:**  
.062 (1.57) Steel, Nickel Plate

**6-32 THREAD**


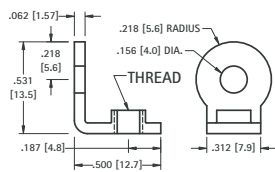
**CAT. NO. 708**      **MATERIAL:**  
.062 (1.57) Steel, Nickel Plate

**6-32 THREAD**

**CAT. NO. 617**      **MATERIAL:**  
.062 (1.57) Steel, Tin Plate


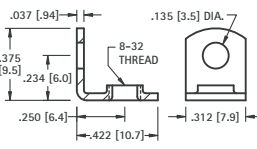
**6-32 OR 8-32 THREAD**

| CAT. NO. | THREAD |
|----------|--------|
| 4332     | 6-32   |
| 4333     | 8-32   |


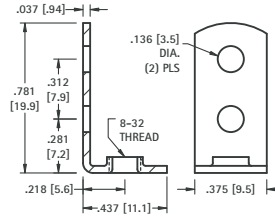
**MATERIAL:**  
.062 (1.57) Brass, Nickel Plate

**8-32 THREAD**

**CAT. NO. 611**      **MATERIAL:**  
.037 (.94) Brass, Tin Plate

**8-32 THREAD**

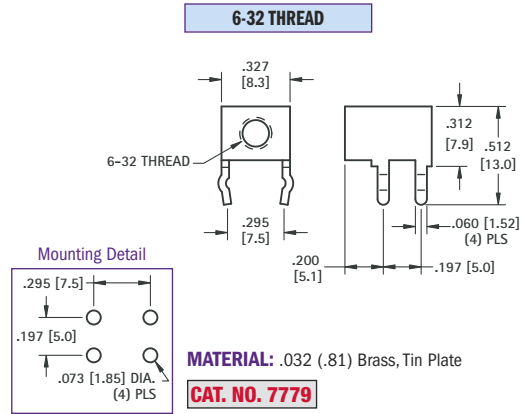
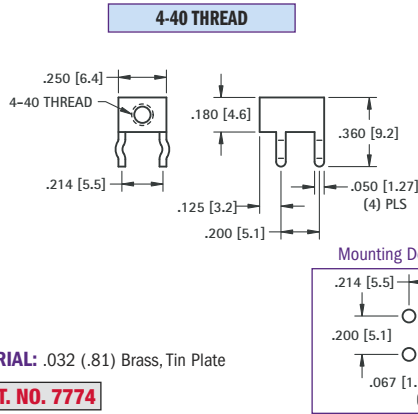
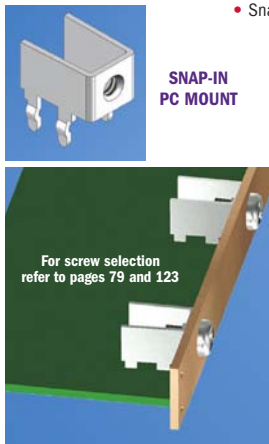
**CAT. NO. 631**      **MATERIAL:**  
.037 (.94) Steel, Tin Plate



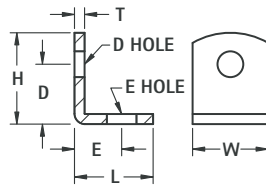


## SNAP-IN THREADED PC MOUNT BRACKETS

• Snaps in for wave soldering • Reduces assembly time • Easily mount into predrilled or punched holes • Stable no rock design



## UNIVERSAL CLEAR HOLE BRACKETS



| CAT. NO. | H            | L           | W           | D           | D HOLE DIAMETER | E           | E HOLE DIAMETER | T           | MATERIAL | FINISH |
|----------|--------------|-------------|-------------|-------------|-----------------|-------------|-----------------|-------------|----------|--------|
| 633      | .375 (9.5)   | .375 (9.5)  | .281 (7.1)  | .218 (5.5)  | .140 (3.6)      | .218 (5.5)  | .140 (3.6)      | .032 (.81)  | Brass    | Nickel |
| 613      | .390 (9.9)   | .453 (11.5) | .375 (9.5)  | .234 (5.9)  | .147 (3.7)      | .299 (7.6)  | .128 (3.3)      | .032 (.81)  | Brass    | Nickel |
| 615      | .420 (10.7)  | .343 (8.7)  | .281 (7.1)  | .281 (7.1)  | .144 (3.7)      | .203 (5.2)  | .128 (3.3)      | .032 (.81)  | Brass    | Tin    |
| 4335     | .562 (14.3)  | .562 (14.3) | .500 (12.7) | .412 (10.5) | .120 (3.0)      | .411 (10.4) | .120 (3.0)      | .062 (1.57) | Steel    | Nickel |
| 4336     | .562 (14.3)  | .562 (14.3) | .500 (12.7) | .412 (10.5) | .144 (3.7)      | .412 (10.5) | .144 (3.7)      | .062 (1.57) | Steel    | Nickel |
| 618      | .628 (16.0)  | .628 (16.0) | .375 (9.5)  | .378 (9.6)  | .169 (4.3)      | .378 (9.6)  | .169 (4.3)      | .050 (1.27) | Brass    | Tin    |
| 619      | .687 (17.4)  | .687 (17.4) | .375 (9.5)  | .500 (12.7) | .144 (3.7)      | .500 (12.7) | .144 (3.7)      | .032 (.81)  | Steel    | Tin    |
| 4326     | 1.013 (25.7) | .487 (12.4) | .312 (7.9)  | .816 (20.7) | .140 (3.6)      | .332 (8.4)  | .140 (3.6)      | .050 (1.27) | Steel    | Nickel |
| 620      | 1.156 (29.4) | .656 (16.7) | .375 (9.5)  | .906 (23.0) | .169 (4.3)      | .420 (10.7) | .169 (4.3)      | .032 (.81)  | Steel    | Tin    |

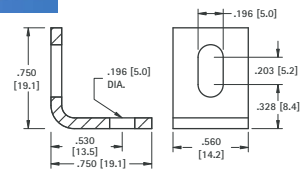
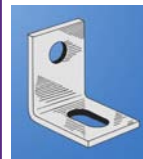
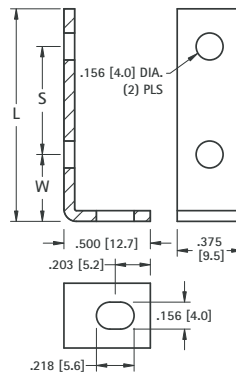
## BOARD BRACKETS



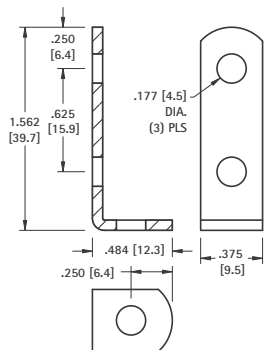
Originally designed for our line of standardized terminal boards; these brackets can also be used in other applications. See pages 148-149 for Turret Terminal Boards.

**MATERIALS:** .062 (1.57) Steel, Nickel Plate

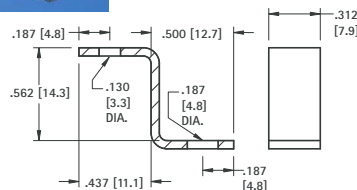
| CAT. NO. | W          | L            | S            |
|----------|------------|--------------|--------------|
| 1570     | .281 (7.1) | 1.187 (30.1) | .750 (19.1)  |
| 1556     | .375 (9.5) | 1.625 (41.3) | 1.000 (25.4) |
| 1571     | .281 (7.1) | 1.625 (41.3) | 1.187 (30.1) |
| 1567     | .375 (9.5) | 2.125 (54.0) | 1.500 (38.1) |
| 1568     | .375 (9.5) | 2.625 (66.7) | 2.000 (50.8) |
| 1569     | .375 (9.5) | 3.125 (79.4) | 2.500 (63.5) |



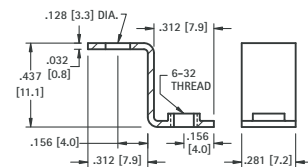
**CAT. NO. 4337** **MATERIAL:** .080 (2.03) Aluminum



**CAT. NO. 1564** **MATERIAL:** .062 (1.57) Steel, Nickel Plate



**CAT. NO. 4325** **MATERIAL:** .050 (1.27) Steel, Nickel Plate



**CAT. NO. 630** **MATERIAL:** .032 (.81) Brass, Tin Plate



# X-ON Electronics

Authorized Distributor

*Click to view similar products for [Mounting Hardware](#) category:*

[895-39228](#) [1201280](#) [1201358](#) [R501-000-021](#) [1277](#) [155-012](#) [15504](#) [1597Y](#) [2701761](#) [301-9004-01](#)