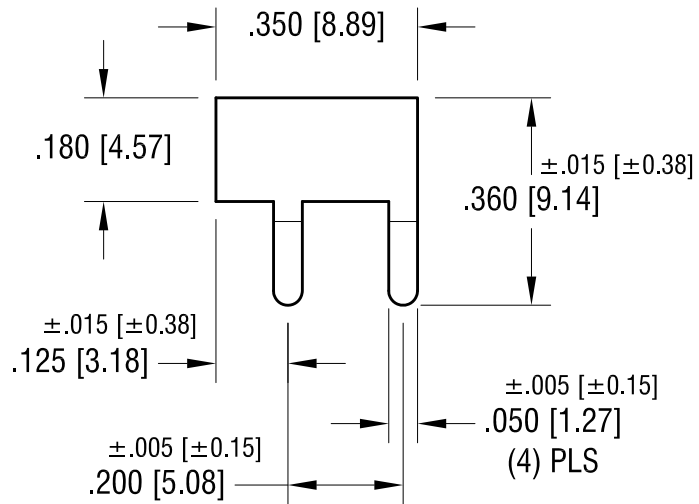
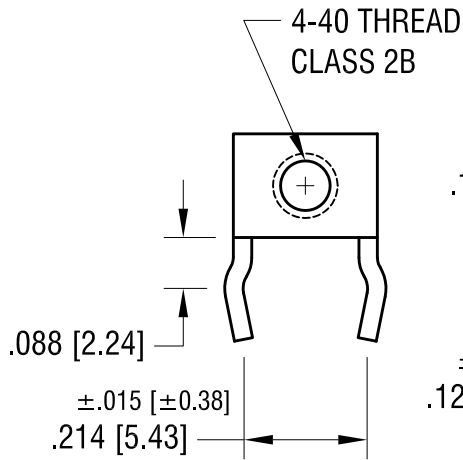
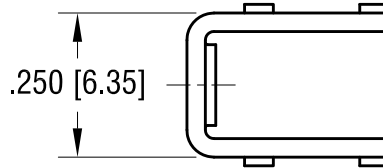
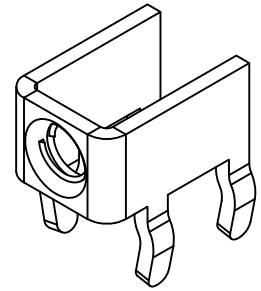
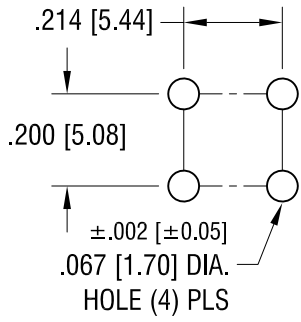


THIS DOCUMENT IS THE PROPERTY OF  
KEYSTONE ELECTRONICS CORP. AND  
SHALL NOT BE REPRODUCED, DISTRIBUTED  
OR USED AS A BASIS FOR MANUFACTURE  
WITHOUT PRIOR WRITTEN PERMISSION  
FROM KEYSTONE ELECTRONICS CORP.

**MOUNTING DETAIL**



8.27.09	CHANGE AS PER ECN 09-122	B
1.19.07	CHANGE AS PER ECN 07-006	A
DATE	DESCRIPTION	REV.

<b>KEYSTONE ELECTRONICS CORP.</b>			
www.keyelco.com • ASTORIA, N.Y. 11105-2017 • Tel (718) 956-8900			
PART NAME THREADED PC MOUNT BRACKET/TERMINAL			
MATERIAL .032 [0.81] TH'K BRASS			
FINISH MATTE TIN PLATE		DRN BY BOONE	DATE 10.10.06
		APP'D LN	SCALE 3X
TOLERANCES DECIMAL ANGULAR	INCH [MM] ±.010 [±0.25] ± 1°	CODE C	DWG NO. 7774
UNLESS OTHERWISE SPECIFIED			