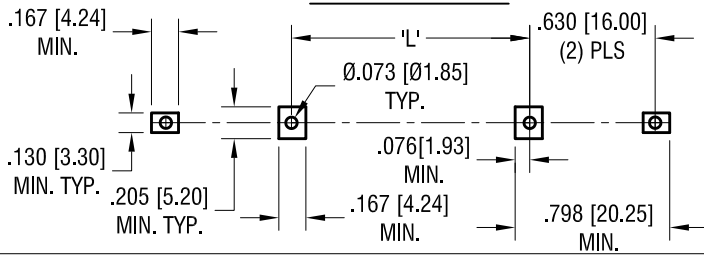


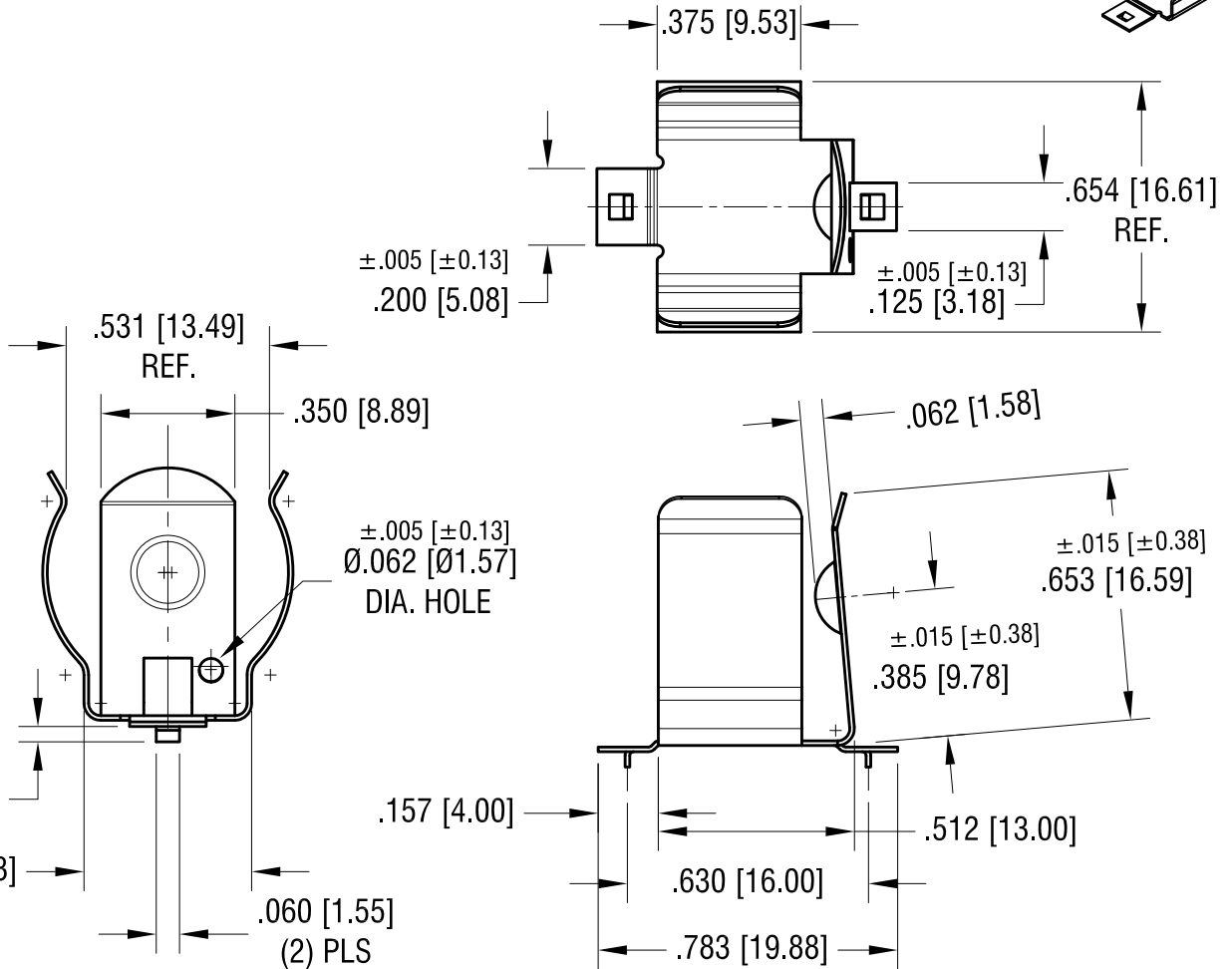
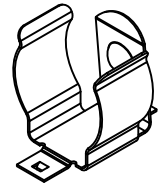
THIS DOCUMENT IS THE PROPERTY OF KEYSTONE ELECTRONICS CORP. AND SHALL NOT BE REPRODUCED, DISTRIBUTED OR USED AS A BASIS FOR MANUFACTURE WITHOUT PRIOR WRITTEN PERMISSION FROM KEYSTONE ELECTRONICS CORP.

**MOUNTING LAYOUT**



BATTERY	'L'
CR123A	.270 [6.85]
18350	.324 [8.23]
18650	1.584 [40.23]

**ACTUAL SIZE**



**NOTE:**

1. HEAT TREAT TO SPRING TEMPER

PCB PROTECTION CIRCUITS ARE REQUIRED WHEN USED WITH LITHIUM-ION BATTERIES

**KEYSTONE ELECTRONICS CORP.**

www.keyelco.com • NEW HYDE PARK, NY 11040 • Tel (516) 328-7500

PART NAME		16mm - 19mm SM BATTERY CLIP	
MATERIAL			
.012 [0.30] TH'K ANNEALED SPRING STEEL			
FINISH	DRN BY	DATE	
TIN NICKEL PLATE	NT	1.17.18	
	APP'D	SCALE	
	LN	2X	
TOLERANCES	INCH	[MM]	CODE
DECIMAL	± .010	[± 0.25]	C
ANGULAR	± 2°		
UNLESS OTHERWISE SPECIFIED			DWG NO.
			<b>254</b>

DATE	DESCRIPTION	REV.