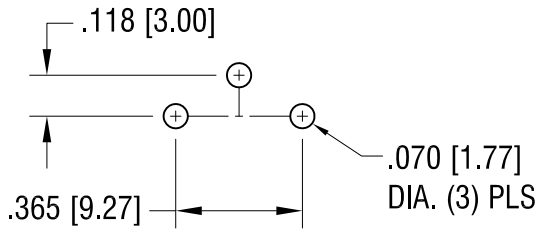
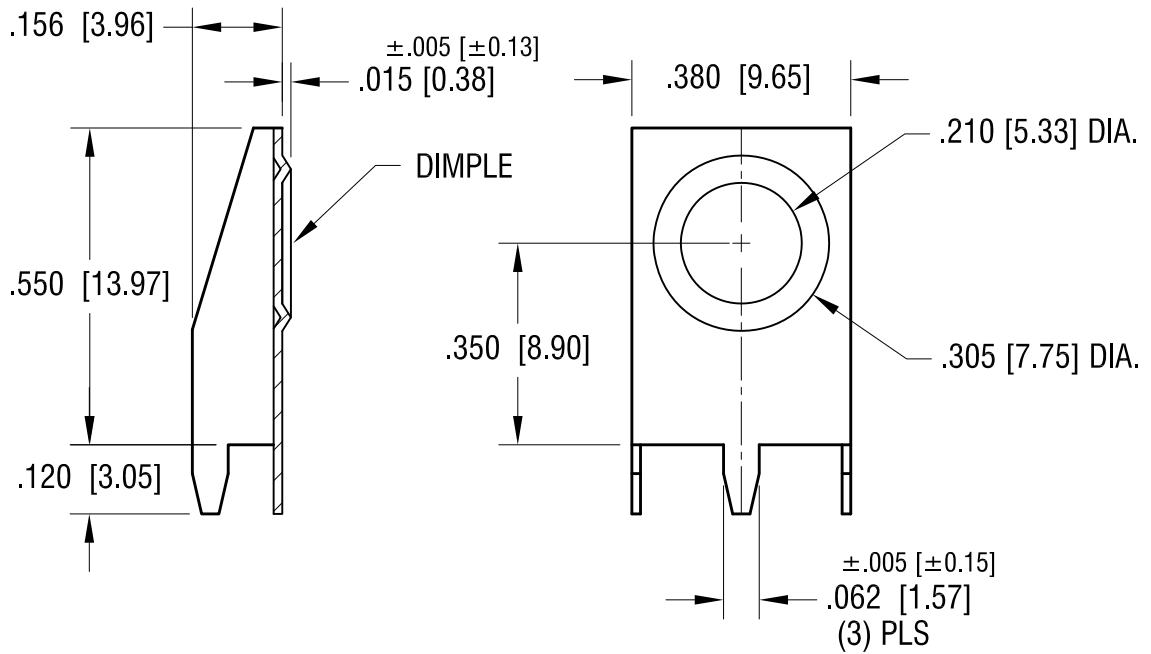


THIS DOCUMENT IS THE PROPERTY OF KEYSTONE ELECTRONICS CORP. AND SHALL NOT BE REPRODUCED, DISTRIBUTED OR USED AS A BASIS FOR MANUFACTURE WITHOUT PRIOR WRITTEN PERMISSION FROM KEYSTONE ELECTRONICS CORP.

ACTUAL SIZE



MOUNTING DETAIL



11.07.17	CHANGE AS PER ECR 17-067	E
1.27.17	CHANGE AS PER ECN 17-010	D
6.24.16	CHANGE AS PER ECR 16-031	C
8.26.04	CHANGE AS PER ECN 04-071	B
4.26.99	CHANGE AS PER ECN 99-030	A
DATE	DESCRIPTION	REV.

KEYSTONE ELECTRONICS CORP.			
www.keyelco.com • NEW HYDE PARK, NY 11040 • Tel (516) 328-7500			
PART NAME		'A' SIZE PC BUTTON CONTACT	
MATERIAL		.015 [0.38] STEEL	
FINISH	TIN NICKEL PLATE	DRN BY	BOONE
		APP'D	LN
		DATE	1.7.99
		SCALE	3X
TOLERANCES	INCH [MM]	CODE	DWG NO.
DECIMAL	± .010 [± 0.25]	C	595
ANGULAR	± 1°		
UNLESS OTHERWISE SPECIFIED			