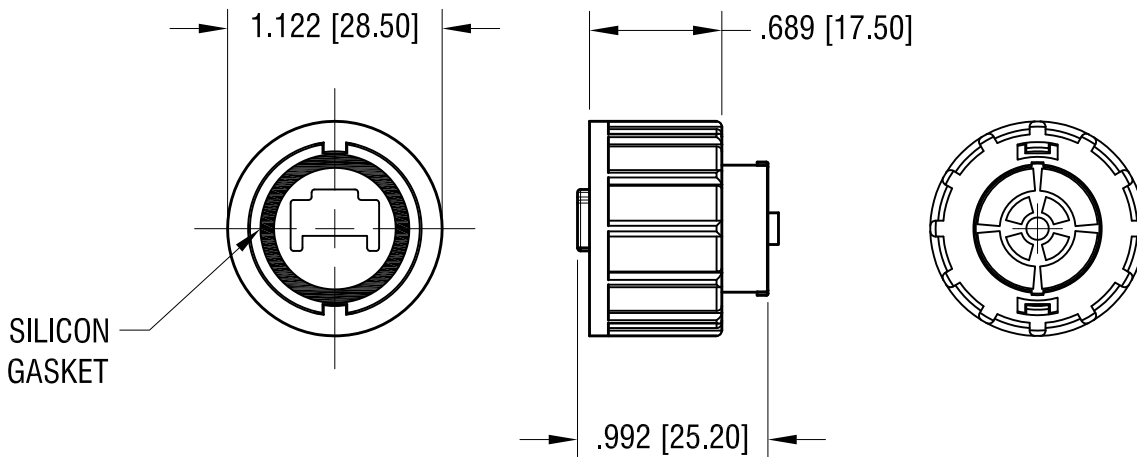
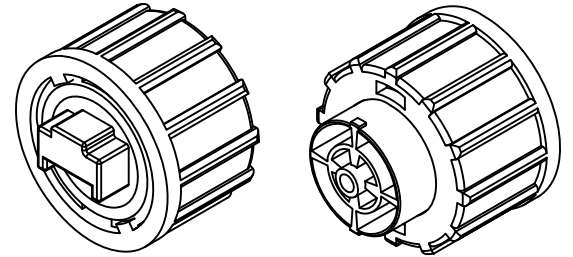


THIS DOCUMENT IS THE PROPERTY OF
KEYSTONE ELECTRONICS CORP. AND
SHALL NOT BE REPRODUCED, DISTRIBUTED
OR USED AS A BASIS FOR MANUFACTURE
WITHOUT PRIOR WRITTEN PERMISSION
FROM KEYSTONE ELECTRONICS CORP.

ACTUAL SIZE



KEYSTONE ELECTRONICS CORP.

www.keyelco.com • NEW HYDE PARK, NY 11040 • Tel (516) 328-7500

PART NAME

WATERPROOF KEYSTONE CAP

MATERIAL

THERMOPLASTIC, UL94V-0 (BLACK COLOR)

FINISH

-

DRN BY

NT

DATE

12.21.18

APP'D

RH

SCALE

1X

TOLERANCES

INCH [MM]

CODE

DWG NO.

DECIMAL

$\pm .005$ [± 0.13]

C

ANGULAR

$\pm 1^\circ$

UNLESS OTHERWISE SPECIFIED

989C

DATE

DESCRIPTION

REV.