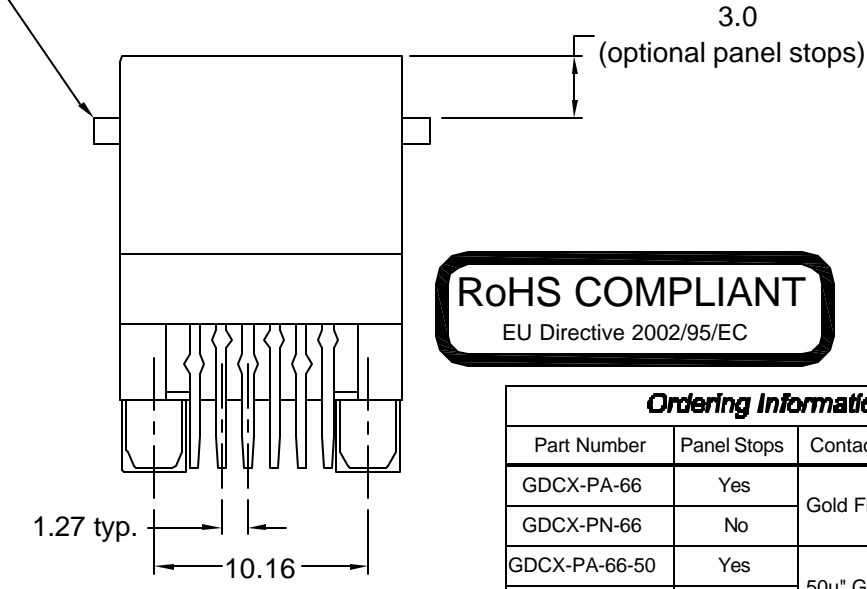
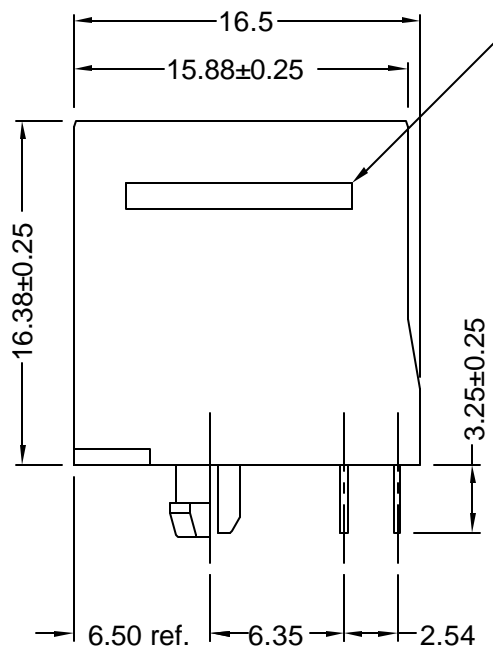
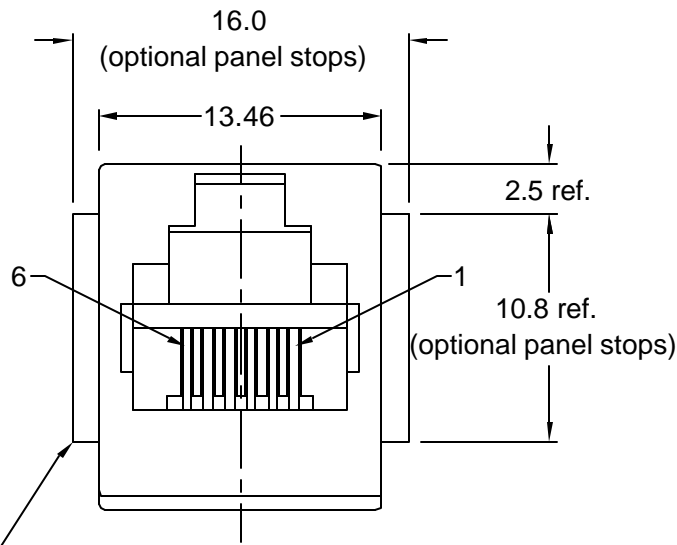
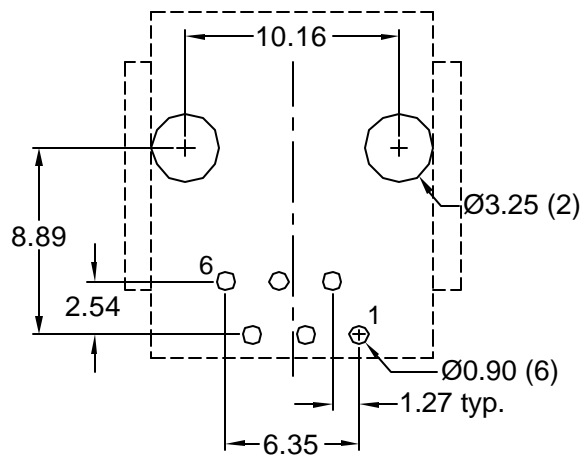


**Recommended PCB Layout  
(top view)**



**Materials and Finish**

Housing Material-  
PBT thermoplastic  
UL 94V-0 rated  
Color: black

Contact Material-  
phosphor bronze

Plating Options-  
Standard: 0.0001" nickel  
underplating, gold flash plating  
on entire contact

50 Option: 0.0001" nickel  
underplating, entire contact plated  
0.000050" gold to comply  
with FCC requirements  
under No. 47 C.F.R. Part 68,  
Subpart F

**Electrical Characteristics**

Insulation Resistance-  
500 Megohms min.

Dielectric Withstanding Voltage-  
1000V rms, 60Hz

Contact Resistance-  
20 milliohms max.

Current Rating- 1.5A

Operating Temperature-  
-40°C to +85°C

Durability Rating-  
500 mating cycles min.

**RoHS COMPLIANT**  
EU Directive 2002/95/EC

**Ordering Information**

Part Number	Panel Stops	Contact Area Plating
GDCX-PA-66	Yes	Gold Flash (standard)
GDCX-PN-66	No	
GDCX-PA-66-50	Yes	50u" Gold (-50 option)
GDCX-PN-66-50	No	

Tolerances
X.X ± 0.25
X.XX ± 0.15
Unless Stated Otherwise



REV.	DATE	DESCRIPTION	REV. BY	CHK. BY	DRAWN BY	DATE
A1	05/18/05	New Drawing	R. Aguirre	H. MA	R. Aguirre	05/12/05

**GDCX-Px-66-xx**  
x = A for panel stops  
x = N for no panel stops

Vertical, Thru-Hole PCB Mount Modular Jack  
RoHS Compliant, 6 position/6 contacts, closed body type

