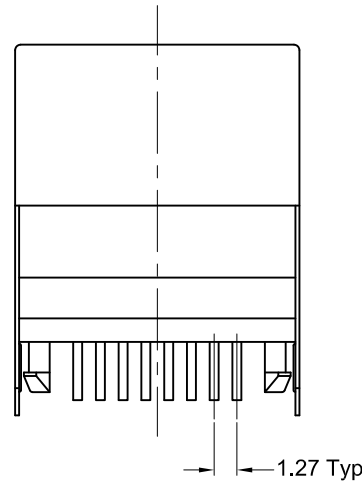
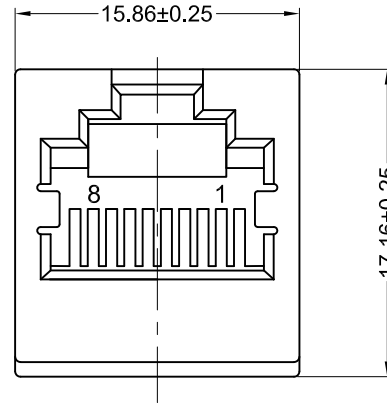
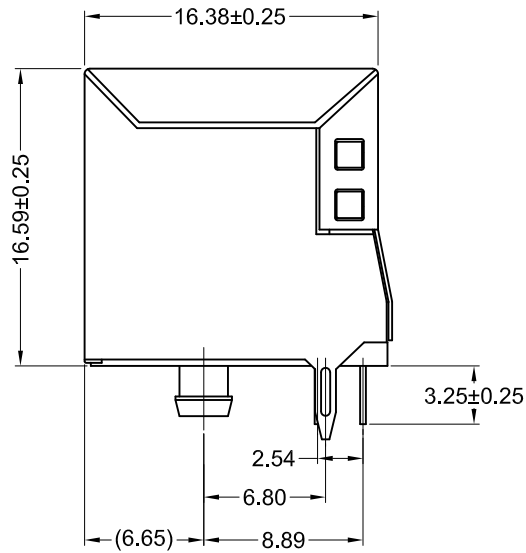
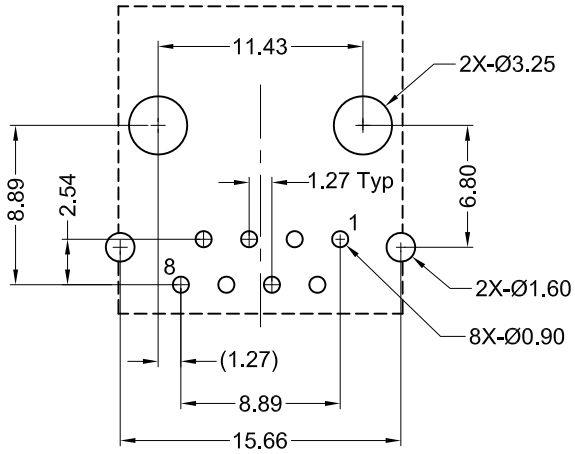


Recommended PCB Layout  
(Top View)



**Materials and Finish**

Housing: PBT Thermoplastic  
UL 94V-0 Rated  
Color: Black

Shield: Brass, Nickel Plated

Contact Material:  
Phosphor Bronze

**Plating Options:**

Standard: Nickel Underplating,  
Gold Flash Plating on Contact Area,  
Tin Plated on Solder Area

50 Option: Nickel Underplating,  
Contact Area Plated with 50u" Gold  
to Comply with ANSI/TIA-1096-A,  
Tin Plated on Solder Area

**Electrical Characteristics**

Rated Current: 1.5A

Rated Voltage: 125V DC

Insulation Resistance:  
500 Megohms Min.

Contact Resistance:  
20 milliohms Max.

Dielectric Withstanding Voltage:  
1000V AC for 1 Minute

**Mechanical Characteristics**

Durability Rating:  
500 Mating Cycles Min.

Operating Temperature:  
-40°C to +85°C

Part Number	Contact Area Plating Finish
GDCX-PNS-88	Gold flash (standard)
GDCX-PNS-88-50	50u" Gold (50 option)

Tolerances
X.X ± 0.35
X.XX ± 0.25
Unless Stated Otherwise



REV.	DATE	DESCRIPTION	REV. BY	CHK. BY	DRAWN BY	DATE
A2	05/12/10	ECO #10-025	S. Vien	H. MA	R. Aguirre	5/12/05
A3	09/04/12	ECO #12-049	S. Vien	P.Dai/Canto		
A4	12/18/14	Update Description	W. Cook	N/A		
A5	03/25/15	ECO#15-001	H. MA	C. Furumasu		
A6	01/13/16	ECO#16-001	H. MA	W. Cook	UNITS	mm
A7	07/01/19	ECO#19-054	H. MA	D. Shehan		

**GDCX-PNS-88-xx**

Vertical, Thru-Hole PCB Mount, RoHS Compliant

Shielded Mod Jack, 10P8C, Closed Body Type

