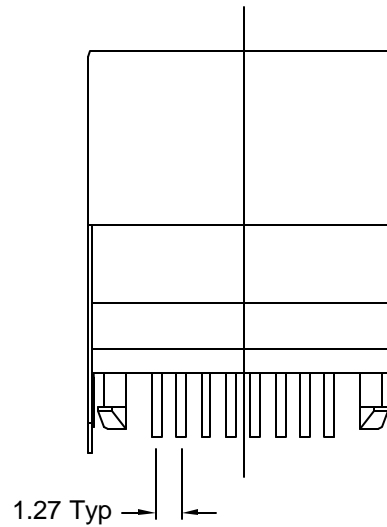
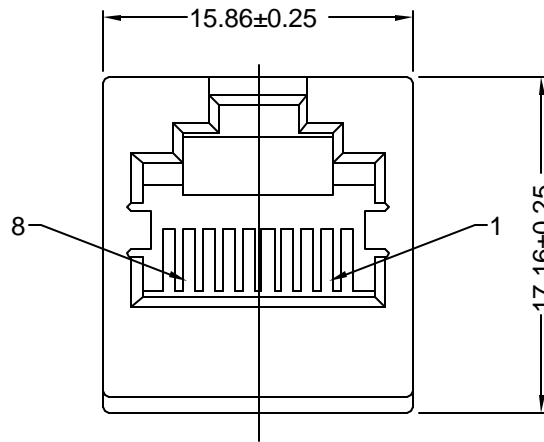
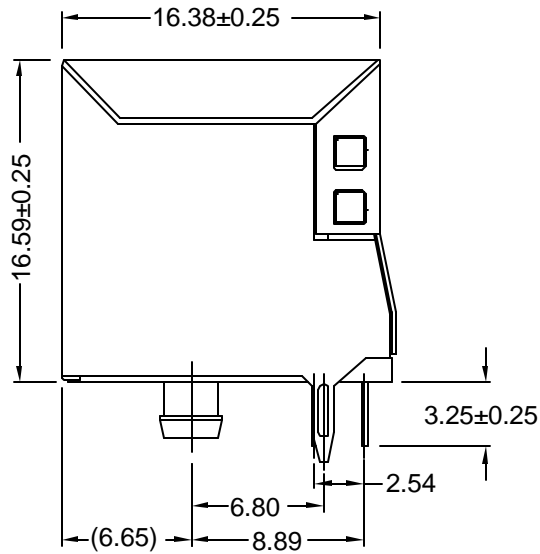
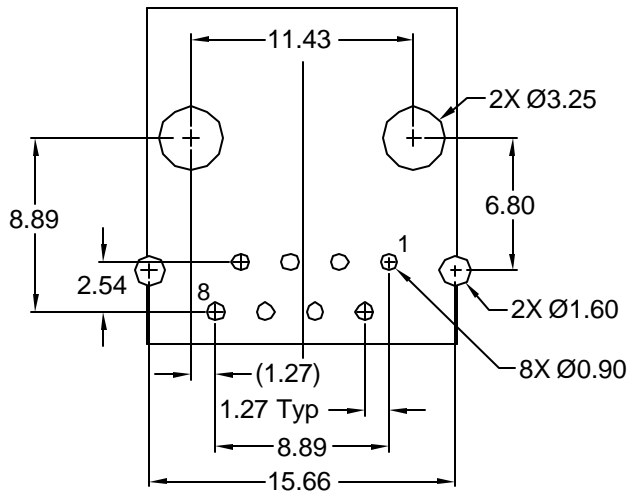


Recommended PCB Layout
(top view)



Materials and Finish

Housing Material-
PBT thermoplastic
UL 94V-0 rated
Color: black

Shield: 0.20mm thick
Brass, nickel plated

Contact Material-
Phosphor bronze

Plating Options-
Standard: 0.0001" nickel
underplating, gold flash plating
on contact area, Tin plated on
solder area

50 Option: 0.0001" nickel
underplating, contact area plated
0.000050" gold to comply
with FCC requirements
under No. 47 C.F.R. Part 68,
Subpart F, Tin plated on solder area

Electrical Characteristics

Insulation Resistance-
500 Megohms min.

Dielectric Withstanding Voltage-
1000V rms, 60Hz

Contact Resistance-
20 milliohms max.

Current Rating- 1.5A

Operating Temperature-
-40°C to +85°C

Durability Rating-
500 mating cycles min.

RoHS COMPLIANT
EU Directive 2002/95/EC

Part Number	Contact Area Plating Finish
GDCX-PNS-88	Gold flash (standard)
GDCX-PNS-88-50	50u" Gold (50 option)



Tolerances
X.X ± 0.25
X.XX ± 0.15
Unless Stated Otherwise

REV.	DATE	DESCRIPTION	REV. BY	CHK. BY	DRAWN BY	DATE
A1	05/17/05	New Drawing	R. Aguirre	H. MA	R. Aguirre	5/12/05

GDCX-PNS-88-xx

Vertical, Thru-Hole PCB Mount, RoHS Compliant
Shielded Mod Jack, 8 position/8 contacts, closed body type

