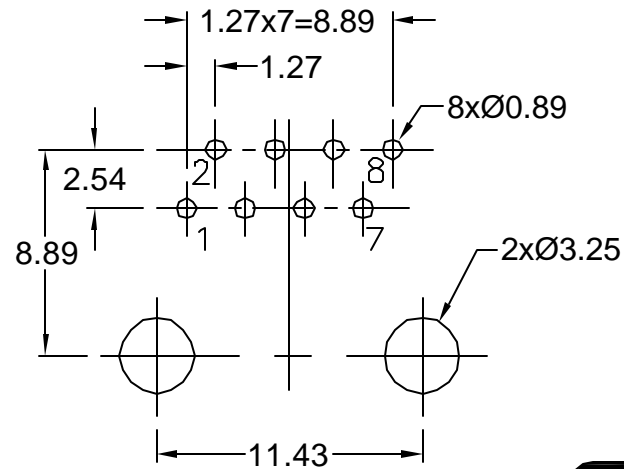
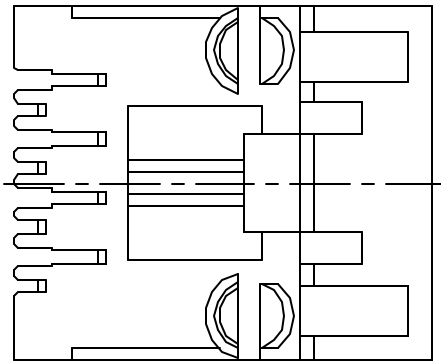


PCB LAYOUT/TOP VIEW



**Materials and Finish**

Housing Material-  
PBT Thermoplastic  
UL 94V-0 Rated  
Color: Black

Contact Material-  
Phosphor Bronze

Contact Plating Options-  
Standard: 0.0001" Nickel  
Plating, Selective Plating  
0.000015" Gold on Contact  
Area, tin plated  
on termination end

50: 0.0001" Nickel Plating,  
Selective Plating 0.000050"  
Gold on Contact Area to  
Comply with FCC Requirements  
Under No. 47 C.F.R. Part 68,  
Subpart F  
tin plated on termination end

**Electrical Characteristics**

Insulation Resistance-  
500 Megohms Min.

Dielectric Withstanding Voltage-  
1000V rms, 60Hz

Contact Resistance-  
20 milliohms Max.

Current Rating-  
1.5 Amps

Operating Temp:-  
-40°C - +80°C

Part Number	Contact Area Plating Finish
GDLX-N-88K	Gold Flash (standard)
GDLX-N-88K-50	50u" Gold (-50 option)



Tolerances
X.X ± 0.25
X.XX ± 0.15
Unless Stated Otherwise

REV.	DATE	DESCRIPTION	REV. BY	CHK. BY	DRAWN BY	DATE
A1	12/06/05	New Drawing	H. MA	C. Furumasu	H. MA	12/06/05

**GDLX-N-88K**

Modular Jack, Right angle, RoHS Compliant

8 Pos, 8 Contacts, non-shielded, Keyed

