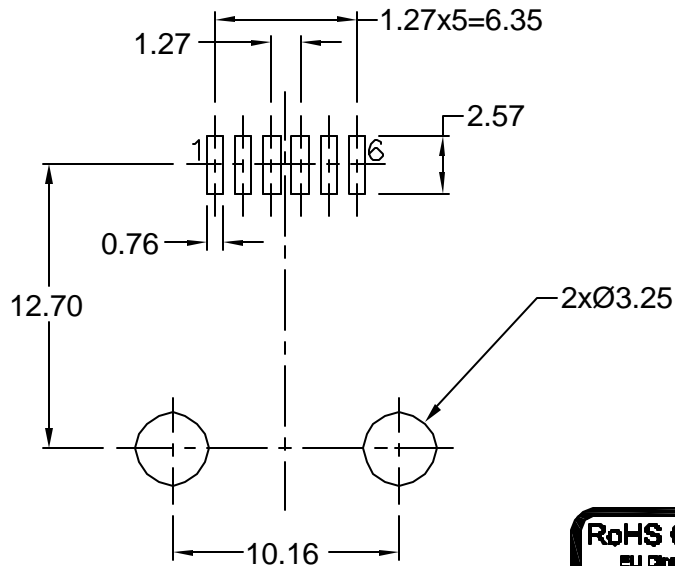
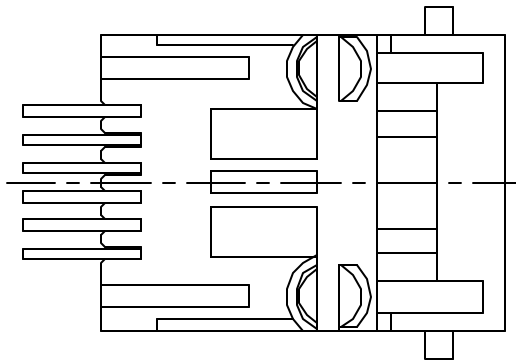


PCB LAYOUT/TOP VIEW



**Materials and Finish**

Housing Material-  
High Temp material  
UL 94V-0 Rated  
Color: Black  
Reflow Process Compatible

Contact Material-  
Phosphor Bronze

Contact Plating Options-  
Standard: 0.0001" Nickel  
Plating, Selective Plating  
0.000015" Gold on Contact  
Area, Tin on Termination End

50: 0.0001" Nickel Plating,  
Selective Plating 0.000050"  
Gold on Contact Area to  
Comply with FCC Requirements  
Under No. 47 C.F.R. Part 68,  
Subpart F  
Tin on Termination End

**Electrical Characteristics**

Insulation Resistance-  
500 Megohms Min.

Dielectric Withstanding Voltage-  
1000V rms, 60Hz

Contact Resistance-  
20 milliohms Max.

Current Rating-  
1.5 Amps

Operating Temperature-  
-40°C to +85°C

Durability Rating-  
500 mating cycles min.

Max. Reflow Temperature:  
230°C for 30 sec.  
260°C max.

| Part Number      | Contact Area Plating Finish |
|------------------|-----------------------------|
| GDLX-SMT-A-66    | 15u" Gold (standard)        |
| GDLX-SMT-A-66-50 | 50u" Gold (50 option)       |



| Tolerances                 |
|----------------------------|
| X.X ± 0.25                 |
| X.XX ± 0.15                |
| Unless Stated<br>Otherwise |

| REV. | DATE    | DESCRIPTION | REV. BY    | CHK. BY | DRAWN BY   | DATE     |
|------|---------|-------------|------------|---------|------------|----------|
| A1   | 6/29/05 | New Drawing | R. Aguirre | H. MA   | R. Aguirre | 05/19/05 |
|      |         |             |            |         |            |          |
|      |         |             |            |         |            |          |
|      |         |             |            |         |            |          |
|      |         |             |            |         |            |          |

**GDLX-SMT-A-66**

**Modular Jack, Right angle, SMT**

RoHS Compliant, 6 Pos, 6 Contacts, non-shielded

